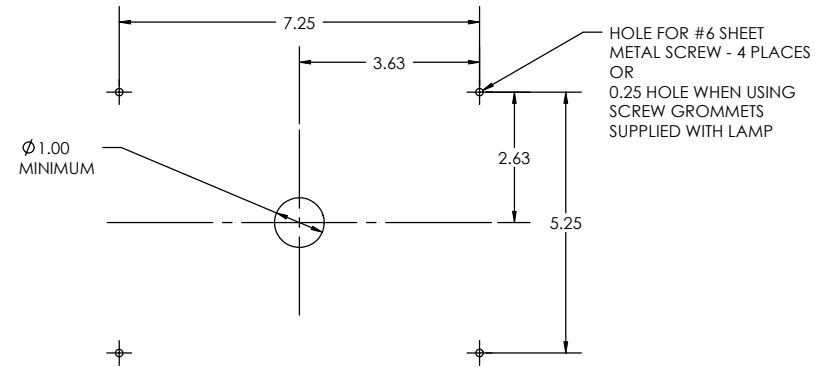
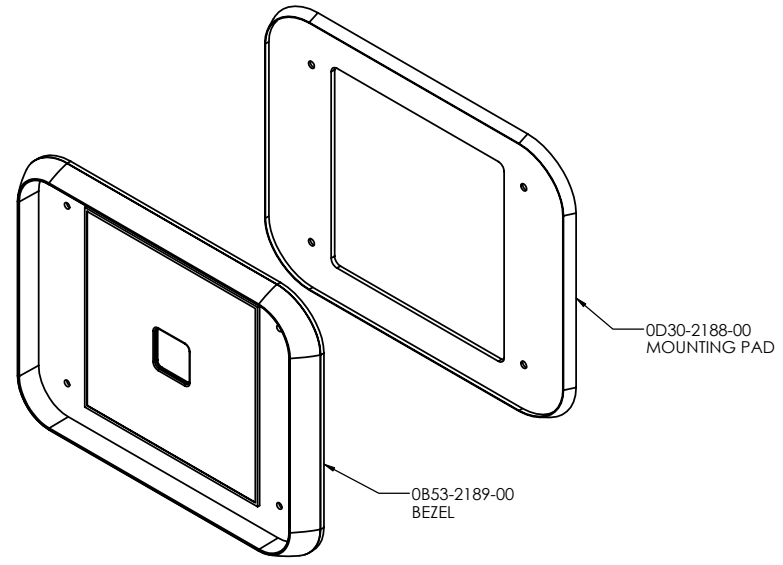
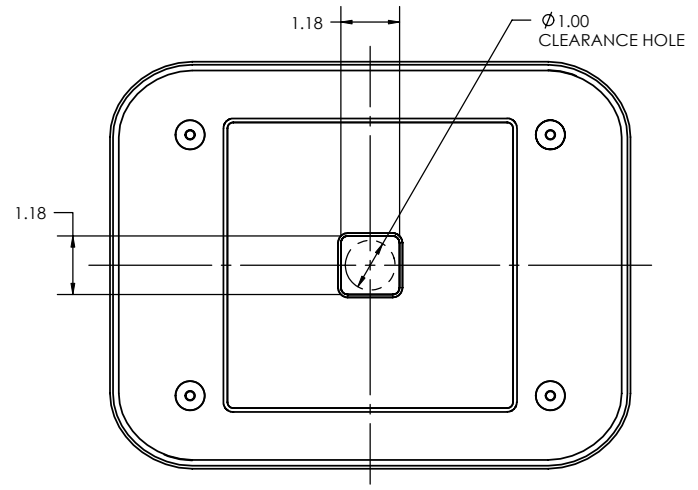
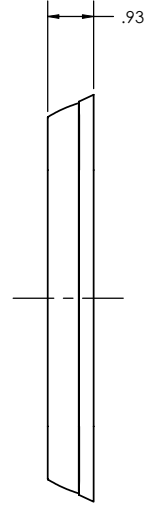
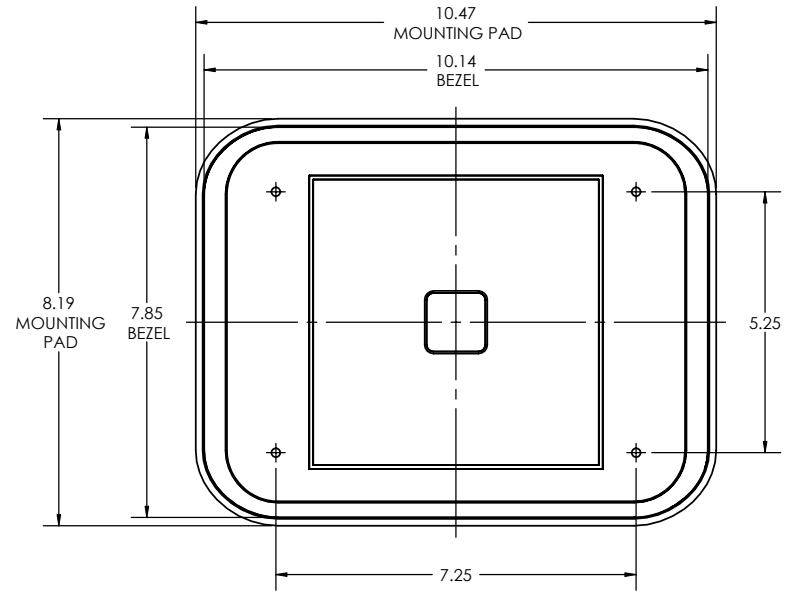


THIS DRAWING AND ALL INFORMATION CONTAINED HEREIN IS THE PROPERTY OF WELDON TECHNOLOGIES, INC. AND MAY NOT BE COPIED, REPRODUCED, OR DIVULGED TO UNAUTHORIZED PERSONS WITHOUT THE EXPRESS WRITTEN CONSENT OF WELDON TECHNOLOGIES, INC. AS IT IS BEING PROVIDED SOLELY FOR THE CONVENIENCE OF THE USER AND SHALL BE RETURNED TO WELDON TECHNOLOGIES, INC. UPON REQUEST.

REVISIONS				
REV.	ECN	DESCRIPTION	DATE	BY / APVD
A	R0772	RELEASE FOR PRODUCTION	--	TB



UNLESS OTHERWISE SPECIFIED DIMENSIONS ARE IN INCHES TOLERANCES ARE: X.XXX - ± 0.005 X.XX - ± 0.020 X.X - ± 0.050 ANGLES - $\pm 0.5^\circ$	CAD GENERATED DRAWING. DO NOT MANUALLY UPDATE		WELDON TECHNOLOGIES, INC.	
	APPROVALS	DATE	DIAMONDBACK V79 BEZEL KIT CUSTOMER DRAWING	
MATERIAL	DRAWN: BARNETT	DATE: 9/19/08	SIZE: B	
FINISH	CHECKED	QUAL ENG	PART NO. COB80-2337-00	
DO NOT SCALE DRAWING	MFG ENG	PROJ. NO. 00164	SCALE: WELDON COMPUTER GRAPHICS SHEET 1 OF 1	
			REV. A	