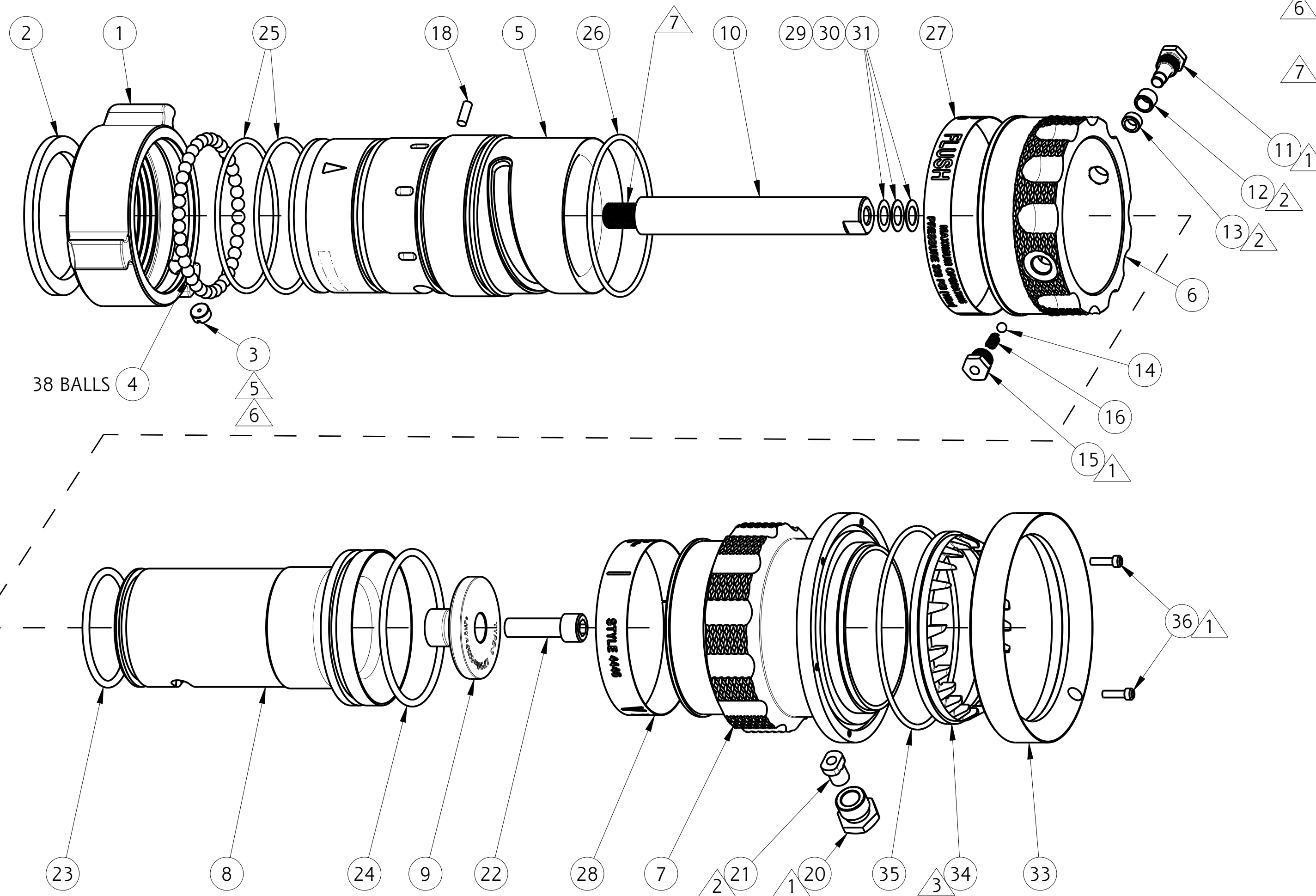


ASSEMBLY NOTES:

USE PARKER O-LUBE ON ALL O-RINGS AND MATING SURFACES UNLESS OTHERWISE NOTED.

- 1 USE LOCTITE 222 OR PERMABOND LM113.
- 2 USE LOW-TEMP LUBRIPLATE.
- 3 DO NOT CUT TURBINE TEETH.
- 4 RAISED LUG IN LINE WITH NARROW FOG FOR CE NOZZLES. ALL OTHERS IN LINE WITH STRAIGHT STREAM.
- 5 ALIGN BALL IN HOLE. TIGHTEN PLUG UNTIL TOUCHES BALL. THEN BACK OUT PLUG 1/4-1/2 TURN.
- 6 THOROUGHLY CLEAN THREADS OF PLUG AND MATING PART AND APPLY LOCTITE 425.
- 7 USE PRIMER T AND PERMABOND HH120 OR LOCTITE 277.



PHONE: 330.264.5678 or 800.228.1161 | FAX: 330.264.2944 or 800.531.7335 | www.akronbrass.com

Parts List Sheet:

127146

WARRANTY AND DISCLAIMER*: We warrant Akron Brass products for a period of five (5) years* after purchase against defects in materials or workmanship. Akron Brass will repair or replace product which fails to satisfy this warranty. Repair or replacement shall be at the discretion of Akron Brass. Products must be promptly returned to Akron Brass for warranty service. We will not be responsible for: wear and tear; any improper installation, use, maintenance or storage; negligence of the owner or user; repair or modification after delivery; failure to follow our instructions or recommendations; or anything else beyond our control. WE MAKE NO WARRANTIES, EXPRESS OR IMPLIED, OTHER THAN THOSE INCLUDED IN THIS WARRANTY STATEMENT, AND WE DISCLAIM ANY IMPLIED WARRANTY OF MERCHANTABILITY OR FITNESS FOR ANY PARTICULAR PURPOSE. Further, we will not be responsible for any consequential, incidental or indirect damages (including, but not limited to, any loss of profits) from any cause whatsoever. No person has authority to change this warranty. *Unless otherwise provided herein. Akron Brass industrial electronic components & the Severe-Duty Monitor have a one (1) year warranty. Select Akron Brass handline nozzles and valves carry a ten (10) year warranty. Scene Star Lights carry a (6) year warranty. Weldon products have a two (2) year warranty from date of manufacture (excluding consumable components). Select Weldon LED products carry a five (5) year warranty. Honda products have the manufacturers' warranty and Akron Brass disclaims any warranty in respect of those products.

© 2016 Akron Brass Company. All rights reserved. No portion of this can be reproduced without the express written consent of the Akron Brass Company.



TECHNICAL SERVICE PARTS

STYLE 4446

PRODUCT SELECTABLE FLOW NOZZLE

IF AN ITEM IS NOTED AS "NOT FIELD REPAIRABLE", OR YOU WISH TO RETURN AN ITEM TO AKRON BRASS FOR SERVICE PLEASE GO ONLINE TO, **ONLINEREPAIR.AKRONBRASS.COM**

Chg.	Date
02	07-19
03	10-19

FIND		DESCRIPTION	ITEM	QTY
1		SWIVEL 2.50"NH	127318	1
2		GASKET	717043	1
3	A	PLUG SWIVEL	742023	1
4	A	BALL 1/4"OD STAINLESS STEEL	-	38
5		BODY NOZZLE	127142	1
6		RING VOLUME CONTROL	127144	1
7		SLEEVE PATTERN	127143	1
8		TUBE DISCHARGE	127137	1
9		HEAD BAFFLE (87 PSI)	127139	1
9		HEAD BAFFLE (80 PSI)	127140	1
9		HEAD BAFFLE (100 PSI)	127141	1
10		STEM	127145	1
11		SCREW CAM	765394	1
12		ROLLER CAM	758313	1
13		ROLLER CAM	758312	1
14		BALL 3/16"OD STAINLESS STEEL	704018	1
15		SCREW DETENT	765395	1
16		SPRING	768448	1
18		KEY	727020	1
20		NUT CAM HEX	735061	1
21		FOLLOWER CAM	707435	1
22		SCREW SOCKET HEAD CAP 3/8-16 x 1-1/4"	763043	1
23		O-RING 2-227	757289	1
24		O-RING 2-233	757249	1
25		O-RING 2-150	757522	2
26		O-RING 2-151	757515	1
27		BAND GALLONAGE CONTROL (GPM/LPM) NFPA	803409	1
27		BAND GALLONAGE CONTROL (LPM) CE	803341	1
28		BAND PATTERN ID	803339	1
29		SHIM BLUE	768218	1
30		SHIM BROWN	768219	1
31		SHIM PINK	768220	1
33		RING TURBINE RETAINER	127160	1
34		TEETH TURBINE	772319	1
35		O-RING 2-154	757516	1
36		SCREW SOCKET HEAD CAP #6-32 x 1/2"	765150	2
A		KIT OF 50 BALLS 1/4"OD STAINLESS STEEL	123074	

PHONE: 330.264.5678 or 800.228.1161 | FAX: 330.264.2944 or 800.531.7335 | www.akronbrass.com

Parts List Sheet:

127146

WARRANTY AND DISCLAIMER*: We warrant Akron Brass products for a period of five (5) years* after purchase against defects in materials or workmanship. Akron Brass will repair or replace product which fails to satisfy this warranty. Repair or replacement shall be at the discretion of Akron Brass. Products must be promptly returned to Akron Brass for warranty service. We will not be responsible for: wear and tear; any improper installation, use, maintenance or storage; negligence of the owner or user; repair or modification after delivery; failure to follow our instructions or recommendations; or anything else beyond our control. WE MAKE NO WARRANTIES, EXPRESS OR IMPLIED, OTHER THAN THOSE INCLUDED IN THIS WARRANTY STATEMENT, AND WE DISCLAIM ANY IMPLIED WARRANTY OF MERCHANTABILITY OR FITNESS FOR ANY PARTICULAR PURPOSE. Further, we will not be responsible for any consequential, incidental or indirect damages (including, but not limited to, any loss of profits) from any cause whatsoever. No person has authority to change this warranty. *Unless otherwise provided herein. Akron Brass industrial electronic components & the Severe-Duty Monitor have a one (1) year warranty. Select Akron Brass handline nozzles and valves carry a ten (10) year warranty. Scene Star Lights carry a (6) year warranty. Weldon products have a two (2) year warranty from date of manufacture (excluding consumable components). Select Weldon LED products carry a five (5) year warranty. Honda products have the manufacturers' warranty and Akron Brass disclaims any warranty in respect of those products.

© 2016 Akron Brass Company. All rights reserved. No portion of this can be reproduced without the express written consent of the Akron Brass Company.

D48832