



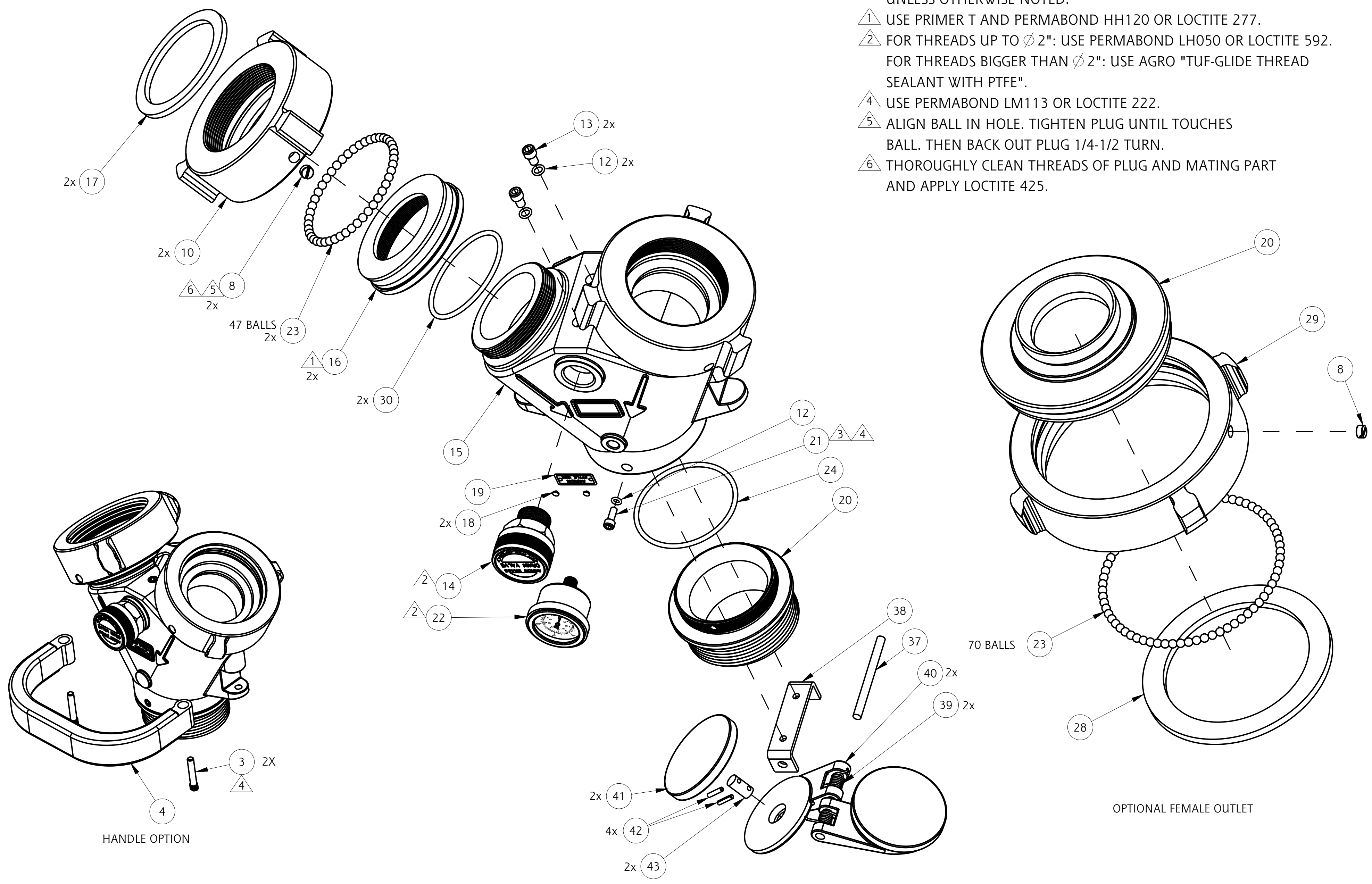
TECHNICAL SERVICE PARTS

STYLE 1262
PRODUCT 3x3 SIAMESE

IF AN ITEM IS NOTED AS "NOT FIELD REPAIRABLE", OR YOU WISH TO RETURN AN ITEM TO AKRON BRASS FOR SERVICE PLEASE GO ONLINE TO, ONLINEREPAIR.AKRONBRASS.COM

Chg.	Date
06	02-22
07	06-22

- ASSEMBLY NOTES:
- USE PARKER O-LUBE ON ALL O-RINGS AND MATING SURFACES UNLESS OTHERWISE NOTED.
 - 1 USE PRIMER T AND PERMABOND HH120 OR LOCTITE 277.
 - 2 FOR THREADS UP TO $\varnothing 2"$: USE PERMABOND LH050 OR LOCTITE 592. FOR THREADS BIGGER THAN $\varnothing 2"$: USE AGRO "TUF-GLIDE THREAD SEALANT WITH PTFE".
 - 4 USE PERMABOND LM113 OR LOCTITE 222.
 - 5 ALIGN BALL IN HOLE. TIGHTEN PLUG UNTIL TOUCHES BALL. THEN BACK OUT PLUG 1/4-1/2 TURN.
 - 6 THOROUGHLY CLEAN THREADS OF PLUG AND MATING PART AND APPLY LOCTITE 425.



PHONE: 800.228.1161 | www.akronbrass.com

WARRANTY AND DISCLAIMER*: We warrant Akron Brass products for a period of five (5) years* after purchase against defects in materials or workmanship. Akron Brass will repair or replace product which fails to satisfy this warranty. Repair or replacement shall be at the discretion of Akron Brass. Products must be promptly returned to Akron Brass for warranty service. We will not be responsible for: wear and tear; any improper installation, use, maintenance or storage; negligence of the owner or user; repair or modification after delivery; failure to follow our instructions or recommendations; or anything else beyond our control. WE MAKE NO WARRANTIES, EXPRESS OR IMPLIED, OTHER THAN THOSE INCLUDED IN THIS WARRANTY STATEMENT, AND WE DISCLAIM ANY IMPLIED WARRANTY OF MERCHANTABILITY OR FITNESS FOR ANY PARTICULAR PURPOSE. Further, we will not be responsible for any consequential, incidental or indirect damages (including, but not limited to, any loss of profits) from any cause whatsoever. No person has authority to change this warranty. *Unless otherwise provided herein. Akron Brass industrial electronic components & the Severe-Duty Monitor have a one (1) year warranty. Select Akron Brass handline nozzles and valves carry a ten (10) year warranty. Scene Star Lights carry a (6) year warranty. Weldon products have a two (2) year warranty from date of manufacture (excluding consumable components). Select Weldon LED products carry a five (5) year warranty. Honda products have the manufacturers' warranty and Akron Brass disclaims any warranty in respect of those products.

© 2016 Akron Brass Company. All rights reserved. No portion of this can be reproduced without the express written consent of the Akron Brass Company.

Parts List Sheet:

123195



TECHNICAL SERVICE PARTS

STYLE 1262

PRODUCT 3x3 SIAMESE

IF AN ITEM IS NOTED AS "NOT FIELD REPAIRABLE", OR YOU WISH TO RETURN AN ITEM TO AKRON BRASS FOR SERVICE PLEASE GO ONLINE TO, **ONLINEREPAIR.AKRONBRASS.COM**

Chg.	Date
06	02-22
07	06-22

Find	Description	Item	QTY
3	HANDLE PIN	741036	2
4	HANDLE	108973	1
8	* PLUG SWIVEL	742023	2
10	SWIVEL 3"ALE	104026	2
12	** O-RING 2-008	757084	3
13	** SCREW SOCKET HEAD CAP 1/4 -20 x 3/8"	766043	2
14	DRAINIT DRAIN VALVE	00040001	1
15	BODY (NO HANDLE)	116470	1
15	BODY (FOR HANDLE)	116500	1
16	ADAPTER OUTLET	116494	2
17	GASKET RUBBER	714102	2
18	NAIL GRIP	736052	2
19	PLATE NAME	745118	1
20	ADAPTER OUTLET	116474	1
20	SWIVEL ADAPTER	119070	1
21	SCREW SOCKET HEAD CAP 10-24 x 1/2"	763038	1
22	GAUGE PRESSURE 0-350 PSI	718322	1
23	* BALL STAINLESS STEEL 1/4"OD	-	94
24	O-RING 2-234	757029	1
28	GASKET	714025	1
29	SWIVEL	104016	1
30	O-RING 2-233	757065	2
37	** PIN AXIS	101959	1
38	** BRACKET CLAPPER	101957	1
39	** SPRING CLAPPER VALVE	768029	2
40	** HOLDER CLAPPER	101958	2
41	** DISC CONNECTION	101759	2
42	** PIN ROLL	744049	4
43	** PIN CLAPPER PIVOT	101960	2

* KIT OF 50 BALLS: 123074
 ** CLAPPER SUB-ASSEMBLY: 12620032

PHONE: 800.228.1161 | www.akronbrass.com

WARRANTY AND DISCLAIMER*: We warrant Akron Brass products for a period of five (5) years* after purchase against defects in materials or workmanship. Akron Brass will repair or replace product which fails to satisfy this warranty. Repair or replacement shall be at the discretion of Akron Brass. Products must be promptly returned to Akron Brass for warranty service. We will not be responsible for: wear and tear; any improper installation, use, maintenance or storage; negligence of the owner or user; repair or modification after delivery; failure to follow our instructions or recommendations; or anything else beyond our control. WE MAKE NO WARRANTIES, EXPRESS OR IMPLIED, OTHER THAN THOSE INCLUDED IN THIS WARRANTY STATEMENT, AND WE DISCLAIM ANY IMPLIED WARRANTY OF MERCHANTABILITY OR FITNESS FOR ANY PARTICULAR PURPOSE. Further, we will not be responsible for any consequential, incidental or indirect damages (including, but not limited to, any loss of profits) from any cause whatsoever. No person has authority to change this warranty. *Unless otherwise provided herein. Akron Brass industrial electronic components & the Severe-Duty Monitor have a one (1) year warranty. Select Akron Brass handline nozzles and valves carry a ten (10) year warranty. Scene Star Lights carry a (6) year warranty. Weldon products have a two (2) year warranty from date of manufacture (excluding consumable components). Select Weldon LED products carry a five (5) year warranty. Honda products have the manufacturers' warranty and Akron Brass disclaims any warranty in respect of those products.
 © 2016 Akron Brass Company. All rights reserved. No portion of this can be reproduced without the express written consent of the Akron Brass Company.

Parts List Sheet:

123195