

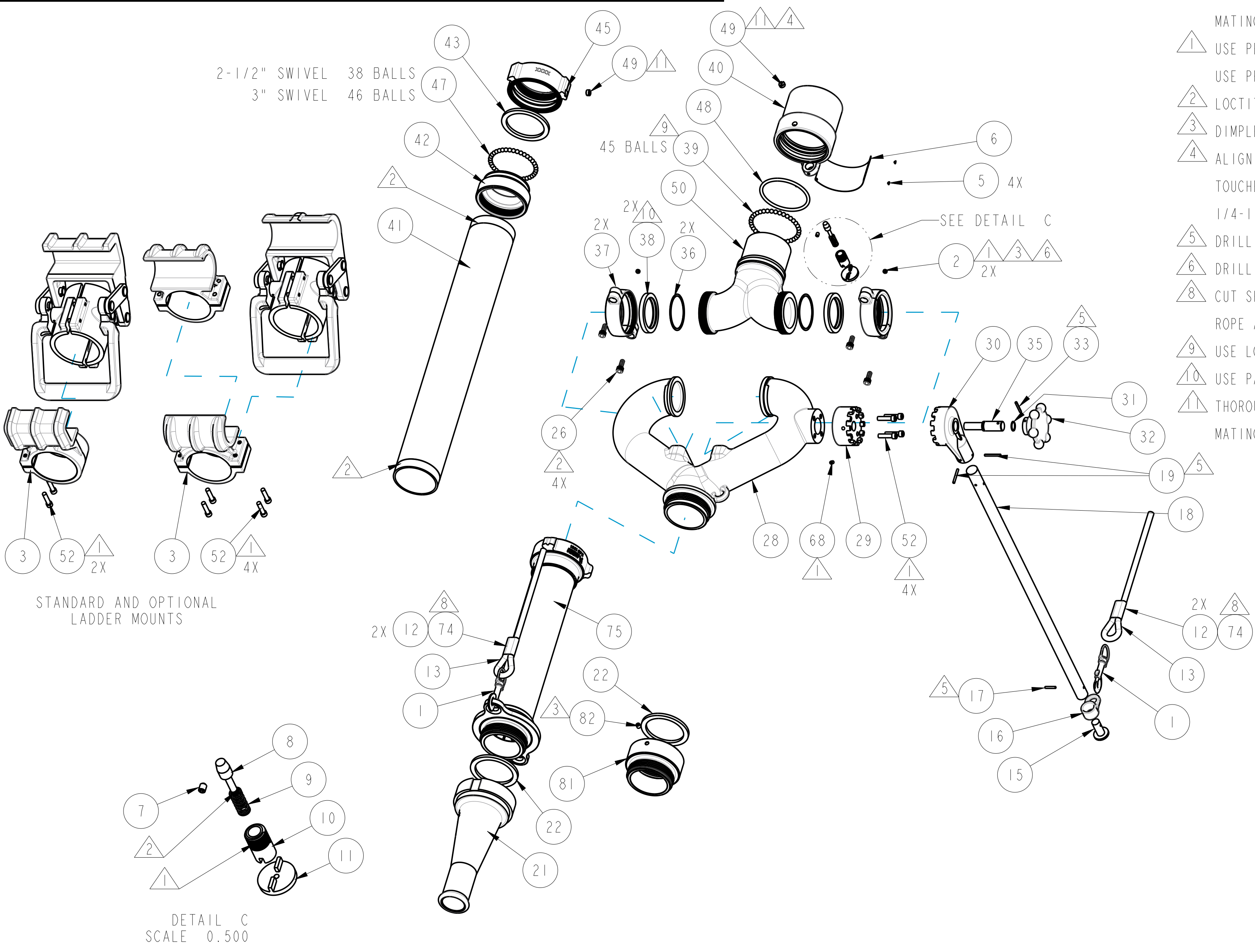


TECHNICAL SERVICE PARTS
 STYLE 1496
 PRODUCT LADDER PIPE

IF AN ITEM IS NOTED AS "NOT FIELD REPAIRABLE", OR YOU WISH TO RETURN AN ITEM TO AKRON BRASS FOR SERVICE PLEASE GO ONLINE TO, ONLINEREPAIR.AKRONBRASS.COM

Chg.	Date
10	06-15
11	07-22

- ASSEMBLY NOTES:
- USE PARKER O-LUBE ON ALL O-RINGS AND MATING SURFACES UNLESS OTHERWISE NOTED.
 - ▲1 USE PERMABOND LMI13 OR LOCTITE 222.
 - USE PRIMER T AND PERMABOND HH120 OR
 - ▲2 LOCTITE 277.
 - ▲3 DIMPLE AT ASSEMBLY.
 - ▲4 ALIGN BALL IN HOLE. TIGHTEN PLUG UNTIL TOUCHES BALL. THEN BACK OUT PLUG 1/4-1/2 TURN.
 - ▲5 DRILL Ø1/8" HOLE .
 - ▲6 DRILL #6 AND TAP 1/4-20 UNC.
 - ▲8 CUT SHRINK TUBING TO 3" AND SLIP OVER ROPE AND HOG RINGS BEFORE SHRINKING.
 - ▲9 USE LOW-TEMP LUBRIPLATE.
 - ▲10 USE PARKER O-LUBE.
 - ▲11 THOROUGHLY CLEAN THREADS OF PLUG AND MATING PART AND APPLY LOCTITE 425.



STANDARD AND OPTIONAL LADDER MOUNTS

DETAIL C
 SCALE 0.500

PHONE: 800.228.1161 | www.akronbrass.com

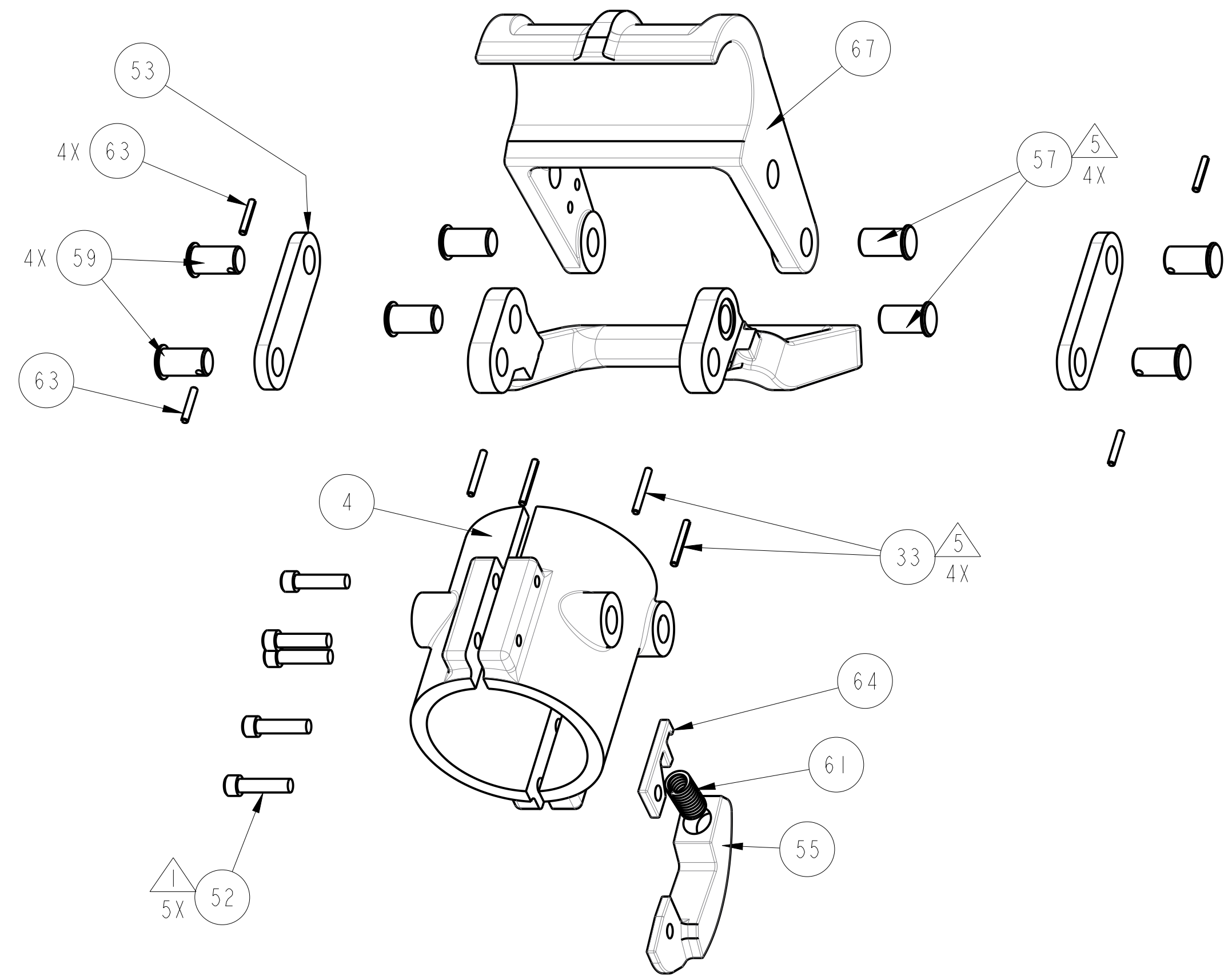
Parts List Sheet:

102050

WARRANTY AND DISCLAIMER*: We warrant Akron Brass products for a period of five (5) years* after purchase against defects in materials or workmanship. Akron Brass will repair or replace product which fails to satisfy this warranty. Repair or replacement shall be at the discretion of Akron Brass. Products must be promptly returned to Akron Brass for warranty service. We will not be responsible for: wear and tear; any improper installation, use, maintenance or storage; negligence of the owner or user; repair or modification after delivery; failure to follow our instructions or recommendations; or anything else beyond our control. WE MAKE NO WARRANTIES, EXPRESS OR IMPLIED, OTHER THAN THOSE INCLUDED IN THIS WARRANTY STATEMENT, AND WE DISCLAIM ANY IMPLIED WARRANTY OF MERCHANTABILITY OR FITNESS FOR ANY PARTICULAR PURPOSE. Further, we will not be responsible for any consequential, incidental or indirect damages (including, but not limited to, any loss of profits) from any cause whatsoever. No person has authority to change this warranty. *Unless otherwise provided herein. Akron Brass industrial electronic components & the Severe-Duty Monitor have a one (1) year warranty. Select Akron Brass handline nozzles and valves carry a ten (10) year warranty. Scene Star Lights carry a (6) year warranty. Weldon products have a two (2) year warranty from date of manufacture (excluding consumable components). Select Weldon LED products carry a five (5) year warranty. Honda products have the manufacturers' warranty and Akron Brass disclaims any warranty in respect of those products.

© 2016 Akron Brass Company. All rights reserved. No portion of this can be reproduced without the express written consent of the Akron Brass Company.

D07650



LOWER CLAMPING BRACKET ASSEMBLY

- USE PARKER O-LUBE ON ALL O-RINGS AND MATING SURFACES UNLESS OTHERWISE NOTED.
- ① USE PERMABOND LM113 OR LOCTITE 222.
 - ② USE PRIMER T AND PERMABOND HH120 OR LOCTITE 277.
 - ③ DIMPLE AT ASSEMBLY.
 - ④ ALIGN BALL IN HOLE. TIGHTEN PLUG UNTIL TOUCHES BALL. THEN BACK OUT PLUG 1/4-1/2 TURN.
 - ⑤ DRILL Ø1/8" HOLE.
 - ⑥ DRILL #6 AND TAP 1/4-20 UNC.
 - ⑧ CUT SHRINK TUBING TO 3" AND SLIP OVER ROPE AND HOG RINGS BEFORE SHRINKING.
 - ⑨ USE LOW-TEMP LUBRIPLATE.
 - ⑩ USE PARKER O-LUBE.
 - ⑪ THOROUGHLY CLEAN THREADS OF PLUG AND MATING PART AND APPLY LOCTITE 425.

PHONE: 800.228.1161 | www.akronbrass.com

WARRANTY AND DISCLAIMER*: We warrant Akron Brass products for a period of five (5) years* after purchase against defects in materials or workmanship. Akron Brass will repair or replace product which fails to satisfy this warranty. Repair or replacement shall be at the discretion of Akron Brass. Products must be promptly returned to Akron Brass for warranty service. We will not be responsible for: wear and tear; any improper installation, use, maintenance or storage; negligence of the owner or user; repair or modification after delivery; failure to follow our instructions or recommendations; or anything else beyond our control. **WE MAKE NO WARRANTIES, EXPRESS OR IMPLIED, OTHER THAN THOSE INCLUDED IN THIS WARRANTY STATEMENT, AND WE DISCLAIM ANY IMPLIED WARRANTY OF MERCHANTABILITY OR FITNESS FOR ANY PARTICULAR PURPOSE.** Further, we will not be responsible for any consequential, incidental or indirect damages (including, but not limited to, any loss of profits) from any cause whatsoever. No person has authority to change this warranty. *Unless otherwise provided herein. Akron Brass industrial electronic components & the Severe-Duty Monitor have a one (1) year warranty. Select Akron Brass handline nozzles and valves carry a ten (10) year warranty. Scene Star Lights carry a (6) year warranty. Weldon products have a two (2) year warranty from date of manufacture (excluding consumable components). Select Weldon LED products carry a five (5) year warranty. Honda products have the manufacturers' warranty and Akron Brass disclaims any warranty in respect of those products.

© 2016 Akron Brass Company. All rights reserved. No portion of this can be reproduced without the express written consent of the Akron Brass Company.

Parts List Sheet:

102050



TECHNICAL SERVICE PARTS
 STYLE 1496
 PRODUCT LADDER PIPE

IF AN ITEM IS NOTED AS "NOT FIELD REPAIRABLE", OR YOU WISH TO RETURN AN ITEM TO AKRON BRASS FOR SERVICE PLEASE GO ONLINE TO, ONLINEREPAIR.AKRONBRASS.COM

Chg.	Date
10	06-15
11	07-22

ITEM NO.	DESCRIPTION	PART NO.	QTY
1	SWIVELING SNAP HOOK	721013	2
2	SET SCREW	765008	2
3	UPPER CLAMP (ROUND RUNG)	104896	1
3	UPPER CLAMP (SQUARE RUNG)	107533	1
4	LOWER CLAMP BRACKET	104897	1
5	GRIP NAIL	736052	4
6	NAME PLATE	773268	1
7	SET SCREW 10-24 X 1/4	765025	1
8	PIN PLUNGER	745051	1
9	SPRING PLUNGER	768150	1
10	HOUSING PLUNGER	101668	1
11	HANDWHEEL	101670	1
12	HOG RING	758006	2
13	MANILA ROPE (200' OR 230' - 3/8")	758011	1
15	** HANDLE PLUG	101659	1
16	** HANDLE SWIVEL	101669	1
17	** GROOVE PIN	744208	1
18	** HANDLE	102052	1
19	** ROLL PIN 1/8 X 1-1/8	744080	2
21	TIP - 1-1/4" ORIFICE	4890002	1
21	TIP - 1-3/8" ORIFICE	4890001	1
21	TIP - 1-1/2" ORIFICE	4890027	1
21	TIP - 1-3/4" ORIFICE	4890030	1
22	GASKET (ONE INCLUDED WITH EACH TIP)	717043	4
26	SCREW SHCS 5/16-18 X 5/8 (PROVIDED WITH #37)	767016	4
28	SIAMESE	102064	1
29	** RATCHET HUB	117875	1
30	** HANDLE RATCHET	117873	1
31	** TRU-ARC RING	758037	1
32	** HANDLE KNOB	101660	1
33	** ROLL PIN 1/8 X 1	744056	1
34	** SCREW 1/4-20 X 1	767003	4
35	** HANDLE RATCHET STUD	117871	1
36	VEE GASKET RETAINING RING 2-3/8 X 2-1/8	758099	2
37	ELBOW SWIVEL	104832	2
38	VEE GASKET	715016	2
39	*** BALL BEARING	703051	45
40	BASE ADAPTER	109841	1
41	INLET PIPE 21"	102053	1
42	SWIVEL ADAPTER 2-1/2"	102058	1
42	SWIVEL ADAPTER 3"	102059	1
43	GASKET 2-1/2"	717043	1
43	GASKET 3"	714022	1
45	# SWIVEL 2-1/2" (NH)	101420	1
45	# SWIVEL 3" (NH)	104013	1
47	*** BALL BEARING (2-1/2" SWIVEL)	703051	38
47	*** BALL BEARING (3" SWIVEL)	703051	46
48	O-RING 2-337	757003	1
49	SWIVEL PLUG	742023	2

ITEM NO.	DESCRIPTION	PART NO.	QTY
50	SIAMESE INLET	109840	1
52	* SCREW 1/4-20 X 1	767003	13
53	* CONNECTING BAR	101667	2
55	* SAFTEY CATCH	102063	1
56	* LOWER HANDLE BRACKET	120246	1
57	* HOOK PIN	102065	4
59	* LINK PIN	102066	4
61	* SPRING	768167	1
63	* ROLL PIN 1/8 X 3/4	744066	4
64	* SPRING RETAINER	102056	1
67	* LOWER HOOK BRACKET (ROUND RUNG)	120244	1
67	* LOWER HOOK BRACKET (SQUARE RUNG)	107534	1
68	** SET SCREW 10-24 X 5/16	765040	1
74	SHRINK TUBE 1 X 6"	772237	1
75	DISCHARGE PIPE 2.5 NH X 2.5 NH	14960012	1
75	DISCHARGE PIPE 2.5 AFB X 2.5 AFB	14960027	1
75	DISCHARGE PIPE 2.5 AEF X 2.5 AEF	14960042	1
81	ADAPTER 2.5 NH X 2.5 BSP	104359	1
81	ADAPTER 2.5 NH X 2.5 AEF	104360	1
81	ADAPTER 2.5 NH X 2.5 AFB	104358	1
81	ADAPTER 2.5 NH X 2.5 BAQ	119841	1
81	ADAPTER 2.5 NH X 2.5 AEH	119044	1
82	SET SCREW 1/4-20 X 1/4	765002	1

NOTE:

IF HANDLE KNOB (#32) IS DETACHABLE, UNIT MAY BE UPGRADED TO PREVENT THE HANDLE FROM COMING OFF WHEN LOOSENING THE KNOB BY REPLACING ITEMS #29, #35 AND ADDING ITEM #68.

WHEN REPLACING THE LOWER CLAMPING BRACKET, NOTE THE NUMBER OF SCREWS HOLDING THE ASSEMBLY TO THE PIPE. IF ONLY 2 SCREWS ARE PROVIDED (#52) THE ENTIRE LOWER CLAMPING BRACKET ASSEMBLY MUST BE ORDERED (P/N: 14960019). INCLUDED IN THE LOWER CLAMPING BRACKET ASSEMBLY IS ITEM #4 AND ITEMS #52 AND #67.

IF HANDLE (#18) HAS A SNAP RING IMMEDIATELY ABOVE THE ROPE SWIVEL (#16) AND SNAP RING IS NEEDED, REPLACE WITH THE NEW HANDLE (#18) AND GROOVE PIN (#17).

* PARTS INCLUDED IN LOWER CLAMPING BRACKET ASSEMBLY (P/N: 14960028).

** PARTS INCLUDED IN ELAVATION HANDLE ASSEMBLY (P/N: 14960034).

*** PACKET OF 50 BALL BEARINGS (P/N: 123074).

FOR OTHER THREADS ORDER BY DESCRIPTION AND THREAD SIZE (ODM AND TPI) OR AKRON THREAD CODE.

PHONE: 800.228.1161 | www.akronbrass.com

WARRANTY AND DISCLAIMER*: We warrant Akron Brass products for a period of five (5) years* after purchase against defects in materials or workmanship. Akron Brass will repair or replace product which fails to satisfy this warranty. Repair or replacement shall be at the discretion of Akron Brass. Products must be promptly returned to Akron Brass for warranty service. We will not be responsible for: wear and tear; any improper installation, use, maintenance or storage; negligence of the owner or user; repair or modification after delivery; failure to follow our instructions or recommendations; or anything else beyond our control. WE MAKE NO WARRANTIES, EXPRESS OR IMPLIED, OTHER THAN THOSE INCLUDED IN THIS WARRANTY STATEMENT, AND WE DISCLAIM ANY IMPLIED WARRANTY OF MERCHANTABILITY OR FITNESS FOR ANY PARTICULAR PURPOSE. Further, we will not be responsible for any consequential, incidental or indirect damages (including, but not limited to, any loss of profits) from any cause whatsoever. No person has authority to change this warranty. *Unless otherwise provided herein. Akron Brass industrial electronic components & the Severe-Duty Monitor have a one (1) year warranty. Select Akron Brass handline nozzles and valves carry a ten (10) year warranty. Scene Star Lights carry a (6) year warranty. Weldon products have a two (2) year warranty from date of manufacture (excluding consumable components). Select Weldon LED products carry a five (5) year warranty. Honda products have the manufacturers' warranty and Akron Brass disclaims any warranty in respect of those products.

Parts List Sheet:

102050