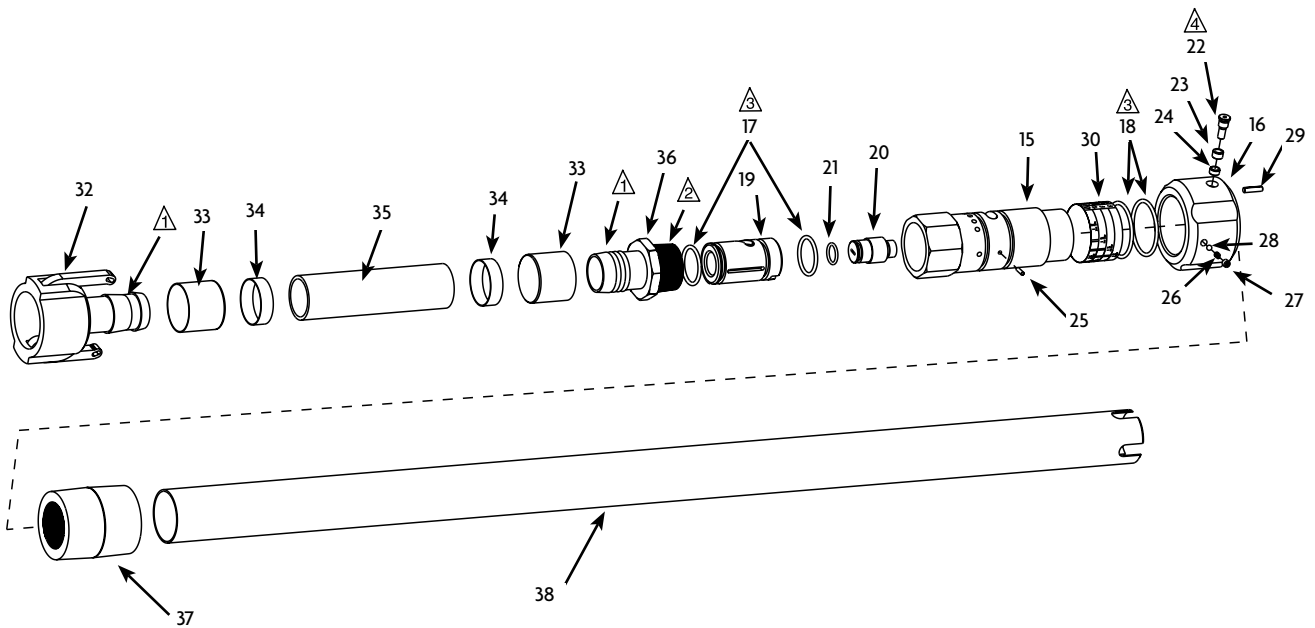







AkroFoam™ / Hose Adapter



-  Use Pliobond Industrial Adhesive
-  Use Permabond LH050 or Loctite 592 Pipe Sealant
-  Grease with Parker O-Lube
-  Use Permabond LMI13 or Loctite 222
-  Apply Loctite 277 or Permabond HH120 on Threads



**STYLE 3030  
Jet Ratio Controller  
TECHNICAL SERVICE PARTS LIST**

ITEM NO.	DESCRIPTION	PART NUMBER	QUANTITY
1	Diverter - 1 1/2" NH *	119895	1
2	Body	119892	1
3	Blending Tube	119891	1
4	Cam Lock Connector	119894	1
5	Swivel 1 1/2" NH **	102261	1
5	Swivel 1 1/2" NPSH **	107856	1
6	O-Ring	757048	1
7	Gasket	717042	1
8	O-Ring	757267	1
9	Piston Ring	756003	1
10	O-Ring	757281	1
11	Allen Head Screw	765025	1
12	O-Ring	757058	1
13	Dust Cover	707494	1
14	Chain	706225	1
15	Metering Head Body	704783	1
16	Sleeve	769734	1
17	O-Ring	757011	2
18	O-Ring	757375	2
19	Spool Seat	769731	1
20	Spool	769733	1
21	O-Ring	757002	1
22	Cam Axle	702050	1
23	Long Cam Roller	707491	1
24	Short Cam Roller	707239	1
25	Discharge Key	727033	1
26	Socket Head Screw	765083	1
27	Detent Spring	769111	1
28	Ball	741058	1
29	Groove Pin	741058	1
30	Band	703613	1
31	Clip	707070	1
32	Cam Lock Connector	119770	1
33	Ferrule	109028	2
34	Clamp	707166	2
35	Pick Up Hose	721242	1
36	Connector Hose	707159	1
37	Adapter Coupling	772118	1
38	Pick Up Tube	772118	1
39	Female NPT x Female NH Adapter	119893	1
39	Female NPT x Female NPSH Adapter	120165	1
40	Quick Cam Female x Male NPT	707495	1
41	Pan Head Screw	765104	1

\* NPSH uses an add-on adapter - p/n - 104264

\*\* For other threads order by description and tread size (OPM andTPI) or by Akron Thread Code.



**Tested... Proven... Trusted.**

ISO 9001 REGISTERED COMPANY

PHONE: 330.264.5678 or 800.228.1161 | FAX: 330.264.2944 or 800.531.7335 | akronbrass.com

REVISED: 8/11

WARRANTY AND DISCLAIMER: We warrant Akron Brass products for a period of five (5) years after purchase against defects in materials or workmanship. Akron Brass will repair or replace product which fails to satisfy this warranty. Repair or replacement shall be at the discretion of Akron Brass. Products must be promptly returned to Akron Brass for warranty service.

We will not be responsible for: wear and tear; any improper installation, use, maintenance or storage; negligence of the owner or user; repair or modification after delivery; damage; failure to follow our instructions or recommendations; or anything else beyond our control. WE MAKE NO WARRANTIES, EXPRESS OR IMPLIED, OTHER THAN THOSE INCLUDED IN THIS WARRANTY STATEMENT, AND WE DISCLAIM ANY IMPLIED WARRANTY OF MERCHANTABILITY OR FITNESS FOR ANY PARTICULAR PURPOSE. Further, we will not be responsible for any consequential, incidental or indirect damages (including, but not limited to, any loss of profits) from any cause whatsoever. No person has authority to change this warranty.

© Akron Brass Company. 2011 All rights reserved. No portion of this can be reproduced without the express written consent of Akron Brass Company.