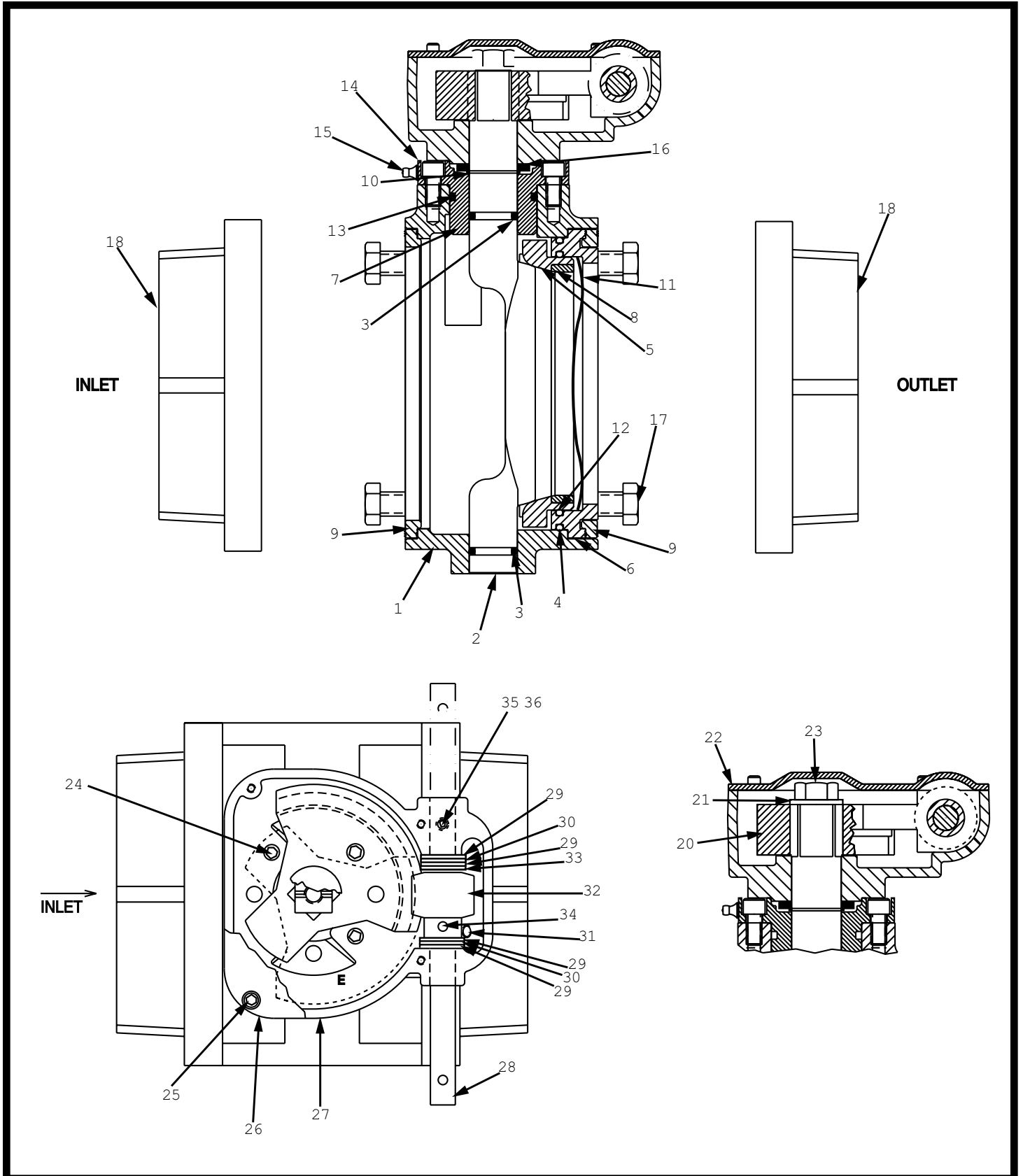


**TECHNICAL SERVICE PARTS**





**STYLE 8840  
GEAR ACTUATED VALVE  
TECHNICAL SERVICE PARTS LIST**

ITEM NO.	DESCRIPTION	PART NUMBER	QUANTITY
1	Valve Body	118153	1
2	Flat Ball	118154	1
3	O-Ring**	757226	2
4	O-Ring	757338	1
5	Seat**	769797	1
6	Seat Retainer	118156	1
7	Trunnion Bushing	118157	1
8	Seat Ring	118158	1
9	Flange Seal**	768309	2
10	Retaining Ring	758185	1
11	Wavy Washer	784138	1
12	O-Ring**	757371	1
13	O-Ring	757006	1
14	Screw	767016	4
15	Grease Fitting	713034	1
16	Thrust Washer	784104	1
17	Screw	765140	8
18	Adapter	*	2
20*	Gear Sector	117972	1
21*	Washer	784068	1
22*	Cover Plate	743003	1
23*	Screw	761065	1
24*	Screw 10-24	765028	4
25*	Screw 8-32	765155	4
26*	Washer	784123	4
27*	Gear Housing	118152	1
28A*	Shaft (Single)	769481	1
28B*	Shaft (Dual)	769348	1
29*	Thrust Washer	784111	4
30*	Needle Bearing	703453	2

ITEM NO.	DESCRIPTION	PART NUMBER	QUANTITY
31*	Grease Fitting	713034	1
32*	Worm Gear	106611	1
33*	Thrust Washer	784103	1
34*	Roll Pin	744068	1
35*	Screw 1/4 - 20	765008	1
36*	Ball 3/16	704031	1

\*See catalog for available adapters.

\*\*Items included in Field Service Kit #9166



ISO 9001 REGISTERED COMPANY

PHONE: 330.264.5678 or 800.228.1161 | FAX: 330.264.2944 or 800.531.7335 | akronbrass.com

REVISED: 9/08

WARRANTY AND DISCLAIMER: We warrant Akron Brass products for a period of five (5) years after purchase against defects in materials or workmanship. Akron Brass will repair or replace product which fails to satisfy this warranty. Repair or replacement shall be at the discretion of Akron Brass. Products must be promptly returned to Akron Brass for warranty service.

We will not be responsible for: wear and tear; any improper installation, use, maintenance or storage; negligence of the owner or user; repair or modification after delivery; damage; failure to follow our instructions or recommendations; or anything else beyond our control. WE MAKE NO WARRANTIES, EXPRESS OR IMPLIED, OTHER THAN THOSE INCLUDED IN THIS WARRANTY STATEMENT, AND WE DISCLAIM ANY IMPLIED WARRANTY OF MERCHANTABILITY OR FITNESS FOR ANY PARTICULAR PURPOSE. Further, we will not be responsible for any consequential, incidental or indirect damages (including, but not limited to, any loss of profits) from any cause whatsoever. No person has authority to change this warranty.

© Akron Brass Company. 2000 All rights reserved. No portion of this can be reproduced without the express written consent of Akron Brass Company.