

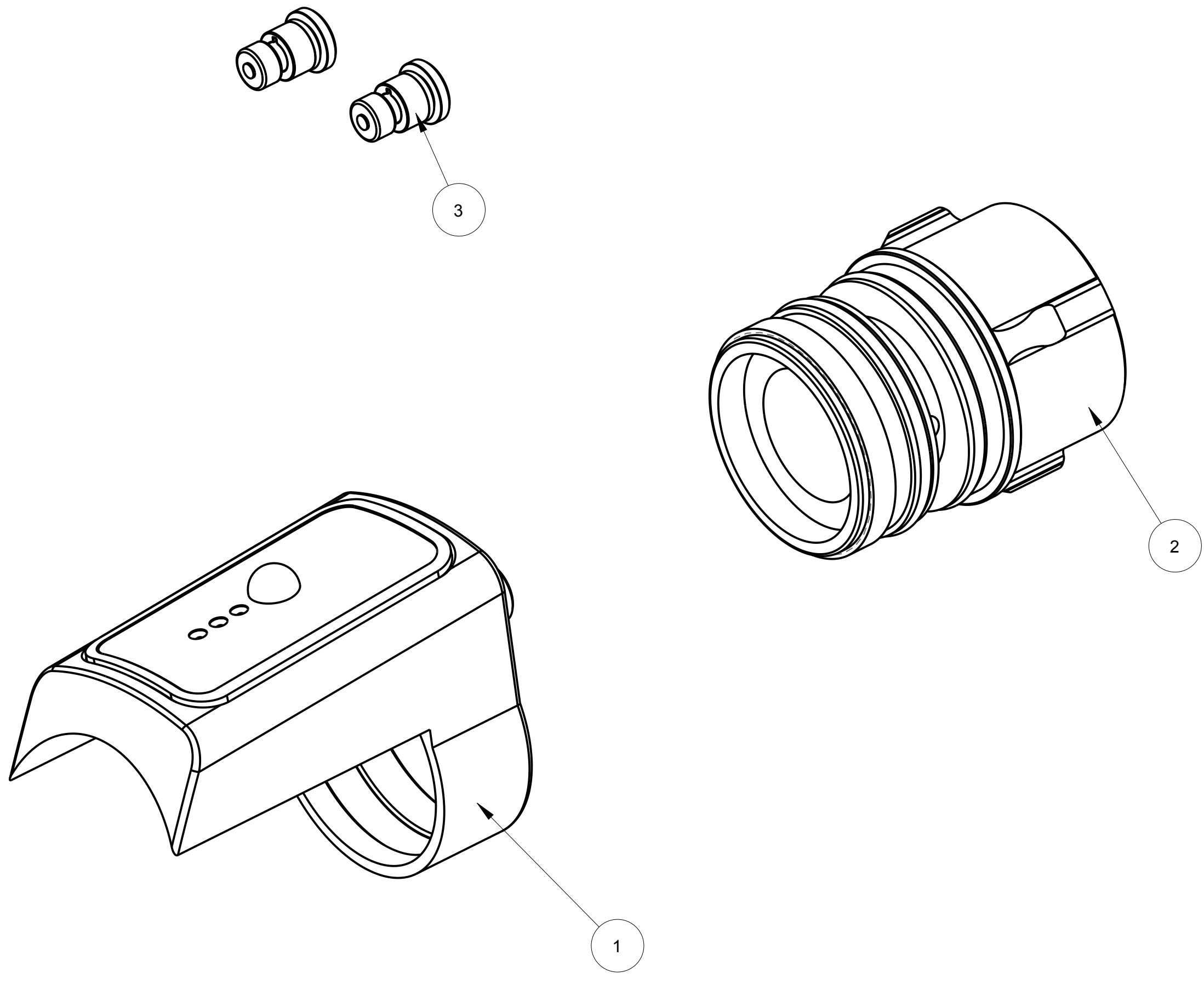


TECHNICAL SERVICE PARTS

STYLE 0120

PRODUCT HYDROFX

| Chg. | Date |
|------|------|
| 00 | 2-13 |



| ITEM NO. | DESCRIPTION | ITEM | QUANTITY |
|----------|-----------------------------|----------|----------|
| 1 | SENSOR ENCLOSURE 50 PSI | 01200001 | 1 |
| 1 | SENSOR ENCLOSURE 75 PSI | 01200002 | 1 |
| 1 | SENSOR ENCLOSURE 100 PSI | 01200003 | 1 |
| 2 | INLET ADAPTER S/A 1.5" NH | 01200007 | 1 |
| 2 | INLET ADAPTER S/A 1.5" NPSH | 01200008 | 1 |
| 2 | INLET ADAPTER S/A 1.5" BSP | 01200009 | 1 |
| 3 | BATTERY CAP S/A | 01200010 | 1 |

PHONE: 330.264.5678 or 800.228.1161 | FAX: 330.264.2944 or 800.531.7335 | www.akronbrass.com

WARRANTY AND DISCLAIMER: We warrant Akron Brass products for a period of five (5) years* after purchase against defects in materials or workmanship. Akron Brass will repair or replace product which fails to satisfy this warranty. Repair or replacement shall be at the discretion of Akron Brass. Products must be promptly returned to Akron Brass for warranty service. We will not be responsible for: wear and tear; any improper installation, use, maintenance or storage; negligence of the owner or user; repair or modification after delivery; failure to follow our instructions or recommendations; or anything else beyond our control. WE MAKE NO WARRANTIES, EXPRESS OR IMPLIED, OTHER THAN THOSE INCLUDED IN THIS WARRANTY STATEMENT, AND WE DISCLAIM ANY IMPLIED WARRANTY OF MERCHANTABILITY OR FITNESS FOR ANY PARTICULAR PURPOSE. Further, we will not be responsible for any consequential, incidental or indirect damages (including, but not limited to, any loss of profits) from any cause whatsoever. No person has authority to change this warranty. *Unless otherwise provided herein. Akron Brass industrial electronic components & the Severe-Duty Monitor have a one (1) year warranty. Weldon products have a one (1) year warranty (excluding consumable components). Select Weldon LED products carry a five (5) year warranty. For Weldon product returns call 800-989-2718. Honda products have the manufacturers' warranty and Akron Brass disclaims any warranty in respect of those products.

Parts List Sheet:

123700