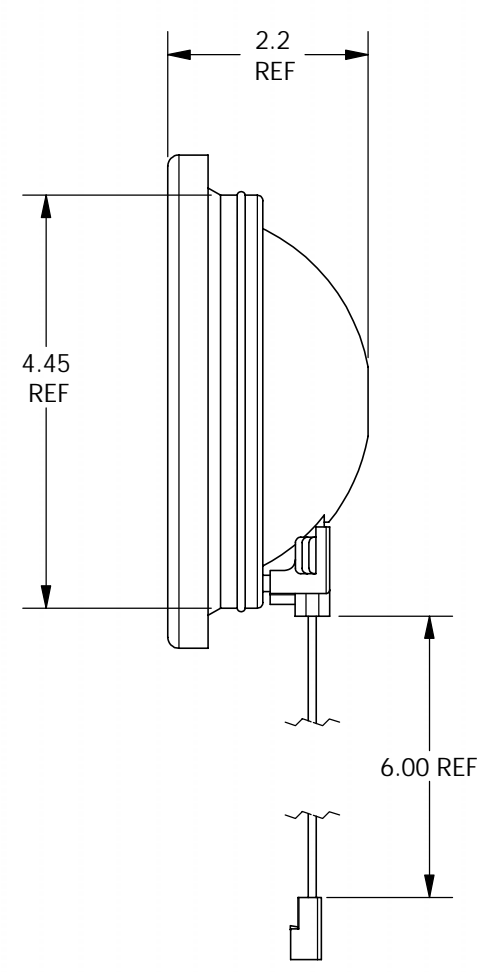
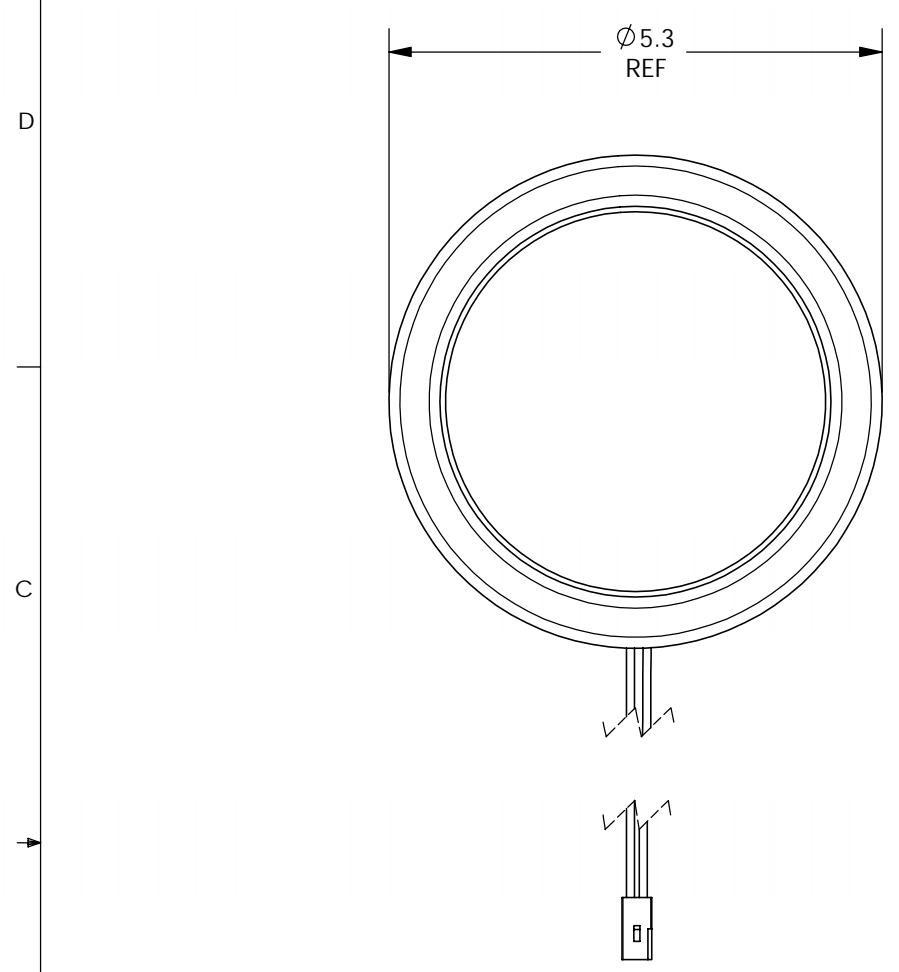
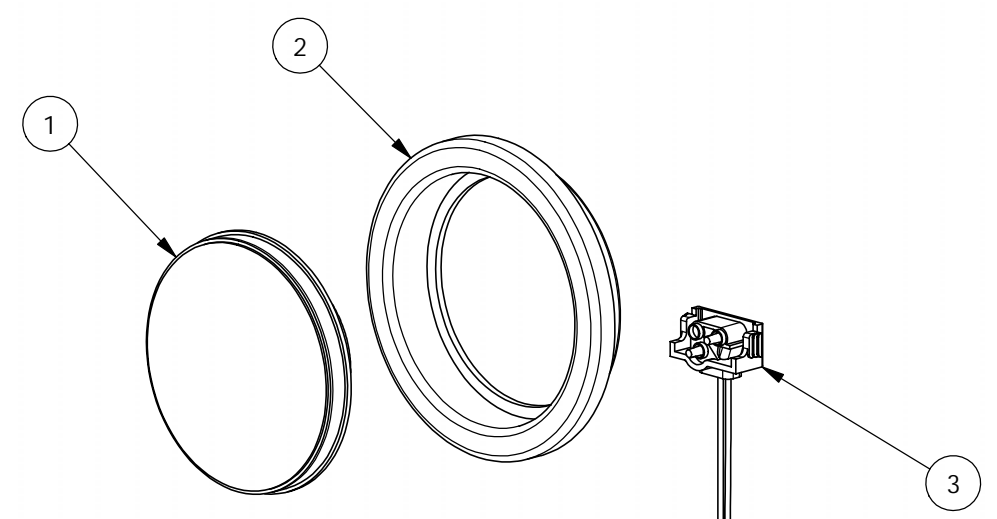


THIS DRAWING AND ALL INFORMATION CONTAINED HEREIN IS THE PROPERTY OF WELDON TECHNOLOGIES, INC. AND MAY NOT BE COPIED, REPRODUCED, OR DIVULGED TO UNAUTHORIZED PERSONS WITHOUT THE EXPRESS WRITTEN CONSENT OF WELDON TECHNOLOGIES, INC. AS IT IS BEING PROVIDED SOLELY FOR THE CONVENIENCE OF THE USER AND SHALL BE RETURNED TO WELDON TECHNOLOGIES, INC UPON REQUEST.

REVISIONS				
REV.	ECN	DESCRIPTION	DATE	BY APVD
A	R0513	RELEASE	3/26/04	ST ST



ITEM	PART NO.	DESCRIPTION	QTY/ 9186-5300KC
1	0M30-1741-30	BACKUP LAMP MODULE, 4" SEALED	1
2	0D70-1744-00	GROMMET, 4" ROUND, BLACK PVC	1
3	0L40-1742-00	PLUG ASSEMBY, 2-WIRE, METRI-PACK .150	1



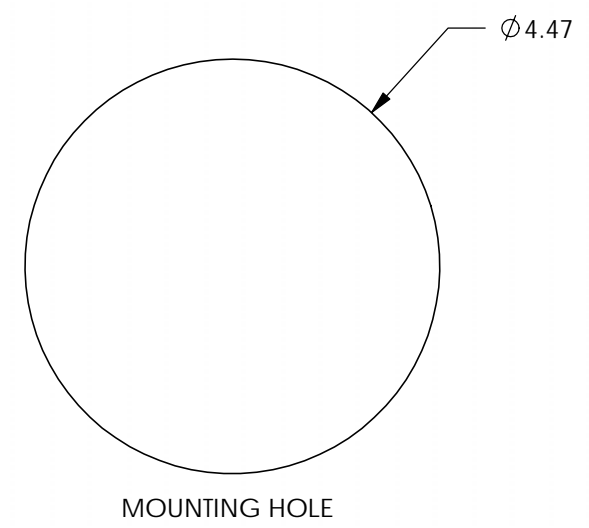
REFERENCE (PACKARD):
 CONN = 12047662
 TERM. = 12047767
 TPA = 12047664

MATES WITH:
 CONN = 12047663
 TERM = 12047581
 TPA = 12047665

REFERENCE:
 A = BACKUP (RED)
 B = GROUND (WHITE)

NOTES:

- THIS LAMP ASSEMBLY IS TO COMPLY WITH FMVSS 108 AND ANY SAE STANDARDS REFERENCED THEREIN WITH RESPECT TO THE FOLLOWING:
 A.) BACK-UP LAMPS PER SAE J593c FEB68
 B.) LENS MATERIALS PER SAE J576 JUL91
 C.) COLOR PER SAE J578c FEB77
 D.) TEST REQUIREMENTS PER SAE J575e AUG70
- ELECTRICAL FUNCTION:
 WHITE WIRE - GROUND
 RED WIRE - BACKUP (MAJOR FILAMENT)
- STANDARD MASTER CARTON PACK: 50



UNLESS OTHERWISE SPECIFIED DIMENSIONS ARE IN INCHES TOLERANCES ARE: X.XXX - ±0.005 X.XX - ±0.020 X.X - ±0.050 ANGLES - ±0.5°		CAD GENERATED DRAWING. DO NOT MANUALLY UPDATE		WELDON TECHNOLOGIES, INC.	
APPROVALS		DATE			
DRAWN ST		3/26/04		CUSTOMER DRAWING, BACKUP LAMP KIT 4" ROUND, RECESSED	
CHECKED TS		3/26/04			
MATERIAL				SIZE B	
FINISH				DRAWING NO. C9186-5300KC	
DO NOT SCALE DRAWING		PROJ. NO.		REV. A	
				SCALE: 1:2 WELDON COMPUTER GRAPHICS SHEET 1 OF 1	