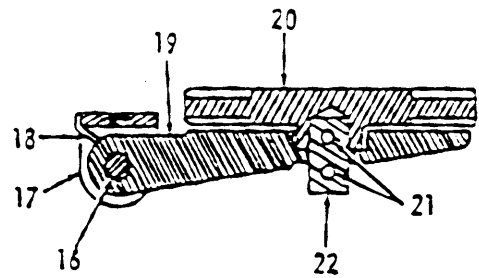
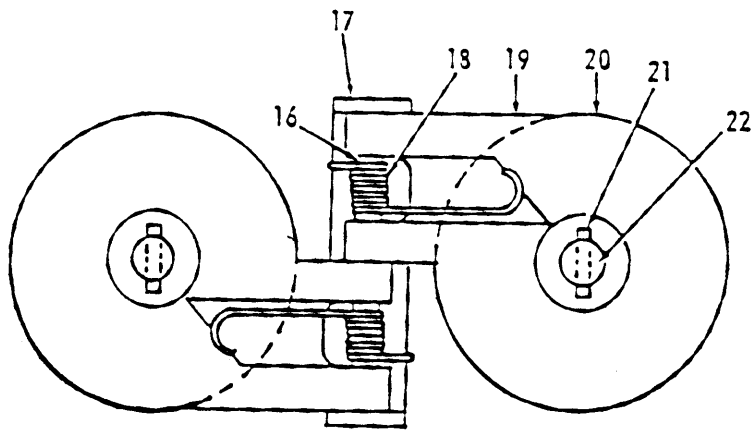
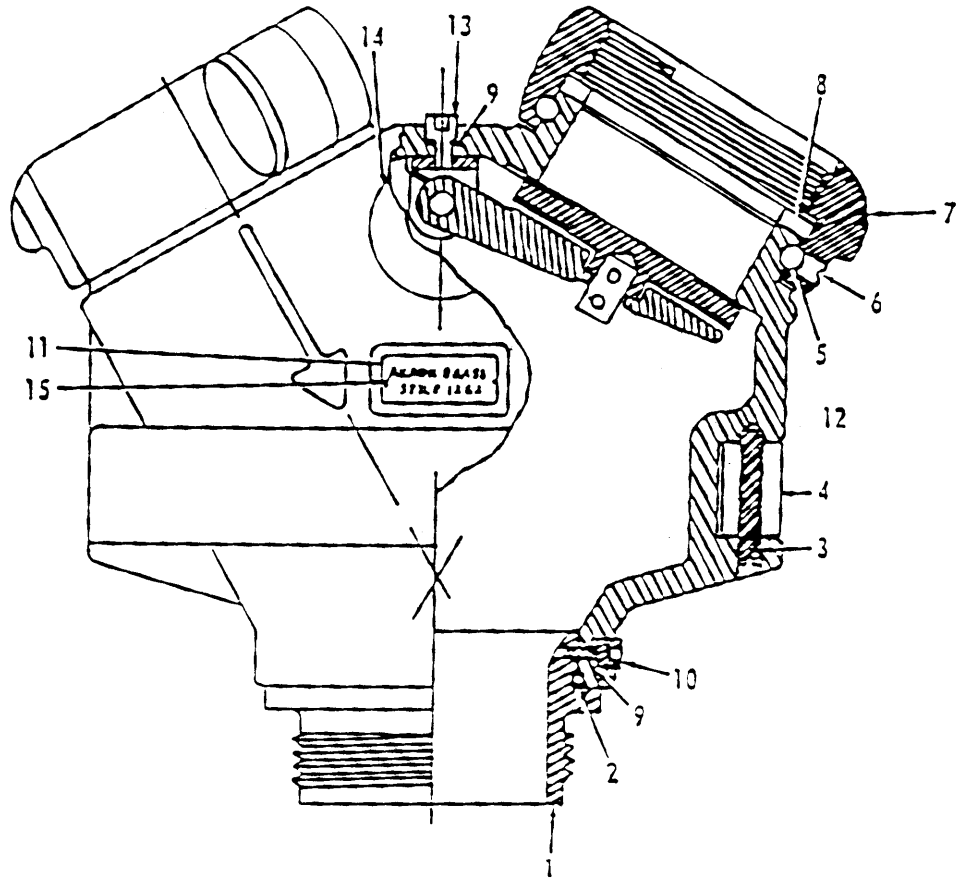


TECHNICAL SERVICE PARTS LIST



CLAPPER DETAIL



AKRON[®]
FIRE-FIGHTING EQUIPMENT

STYLE 1262
Clappered Siamese - Pyrolite[®]
TECHNICAL SERVICE PARTS LIST

ITEM NO.	DESCRIPTION	PART NUMBER	QUANTITY
1	Outlet Adapter 2-1/2" NH*	101944	1
1	Outlet Adapter 3" NH*	101945	1
2	O-Ring	7-57-029	1
3	Handle Pin	7-41-036	2
4	Handle	108973	1
5	Ball Bearings 2-1/2"	**	76
5	Ball Bearings 3"	**	94
6	Swivel Plug	7-42-023	2
7	Swivel 2-1/2" R.L. NH*	101420	2
7	Swivel 3" R.L. NH*	104013	2
8	Swivel Gasket 2-1/2"	7-14-021	2
8	Swivel Gasket 3"	7-14-022	2
9	O-Ring	7-57-084	3
10	Set Screw	7-65-016	1
11	Name Plate	7-44-033	1
12	Body for 2-1/2" Inlet	101955	1
12	Body for 3" Inlet	101956	1
13	Seat Screw	7-66-043	2
14	Drain Valve	Style 4	1
15	Drive Screw	7-67-013	2
16	Axis Pin	101959	1
17	Clapper Bracket	101957	1
18	Clapper Spring	7-68-029	2
19	Clapper Holder	101958	2
20	Valve Disc	101759	2
21	Roll Pin	7-44-049	4
22	Pivot Pin	101960	2

*For other threads order by description and thread size (ODM and TPI) or by Thread Code.

**Packet of 50 Ball Bearings - P/N 109041

To ensure continued quality performance, use only AKRON replacement parts.

In the U.S. - Phone: (800) 228-1161 • Fax: (800) 531-7335



AKRON BRASS
A **PREMIER FARNELL** Company
An **ISO 9001 Registered Company**

U.S./INTERNATIONAL
AKRON BRASS COMPANY
P.O. Box 86, Wooster, Ohio 44691
(330) 264-5678
FAX # (330) 264-2944

Available in **CANADA** through
AKRON MANUFACTURING COMPANY
P.O. Box 280, Aylmer, Ontario, N5H 2R9
(519) 773-8431
FAX # (519) 773-3794

WARRANTY AND DISCLAIMER: We warrant Akron Brass products for a period of five (5) years after purchase against defects in materials or workmanship. Akron Brass will repair or replace product which fails to satisfy this warranty. Repair or replacement shall be at the discretion of Akron Brass. Products must be promptly returned to Akron Brass for warranty service.

We will not be responsible for: wear and tear; any improper installation, use, maintenance or storage; negligence of the owner or user; repair or modification after delivery; damage; failure to follow our instructions or recommendations; or anything else beyond our control. **WE MAKE NO WARRANTIES, EXPRESS OR IMPLIED, OTHER THAN THOSE INCLUDED IN THIS WARRANTY STATEMENT, AND WE DISCLAIM ANY IMPLIED WARRANTY OF MERCHANTABILITY OR FITNESS FOR ANY PARTICULAR PURPOSE.** Further, we will not be responsible for any consequential, incidental or indirect damages (including, but not limited to, any loss of profits) from any cause whatsoever. No person has authority to change this warranty.

AB-484 (REV. 12/98) PRINTED IN U.S.A.
ORR. PRINTING -

©Copyright 1998 by Premier Farnell Corp.

Home-page: www.akronbrass.com; E-mail: custserv@akronbrass.com

®Registered Trademark of Premier Farnell Corp.

™Trademark of Premier Farnell Corp.

All rights reserved. No portion of this publication, whether in whole or in part, can be reproduced without the express written consent of Premier Farnell Corp.