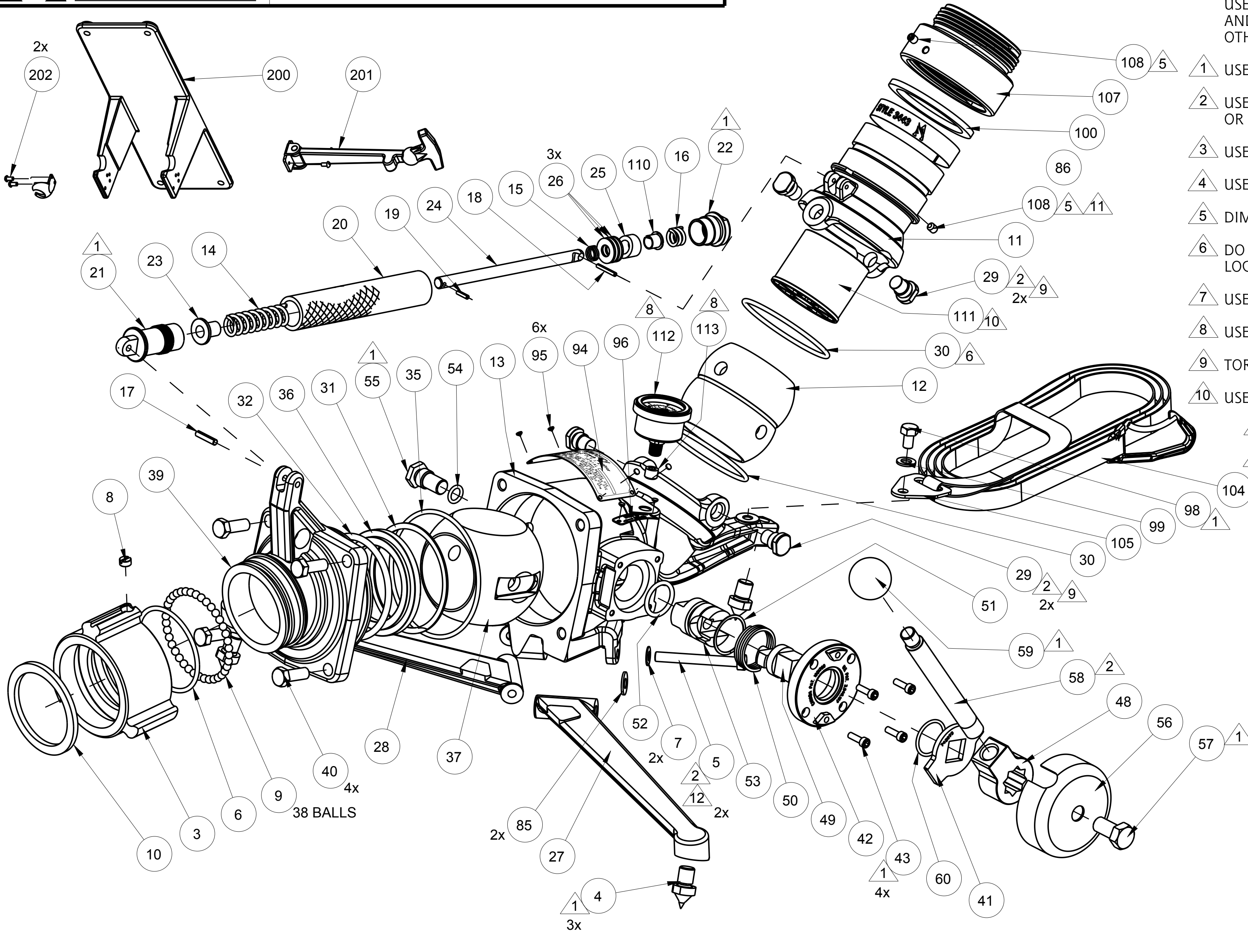




TECHNICAL SERVICE PARTS
STYLE 3443
PRODUCT MERCURY QUICK ATTACK

IF AN ITEM IS NOTED AS "NOT FIELD REPAIRABLE", OR YOU WISH TO RETURN AN ITEM TO AKRON BRASS FOR SERVICE PLEASE GO ONLINE TO, ONLINEREPAIR.AKRONBRASS.COM

| Chg. | Date |
|------|-------|
| 17 | 03-18 |
| 18 | 01-19 |



- ASSEMBLY NOTES:
- USE PARKER O-LUBE ON ALL O-RINGS AND MATING SURFACES UNLESS OTHERWISE NOTED.
 - 1 USE PERMABOND LM113 OR LOCTITE 222.
 - 2 USE PRIMER T AND PERMABOND HH120 OR LOCTITE 277.
 - 3 USE LOCTITE 290.
 - 4 USE LOW-TEMP LUBRIPLATE.
 - 5 DIMPLE AT ASSEMBLY.
 - 6 DO NOT LUBE O-RING IN THIS LOCATION ONLY.
 - 7 USE DEVCON 14270.
 - 8 USE PERMABOND LH050 OR LOCTITE 592.
 - 9 TORQUE TO 25 FT.LBS.
 - 10 USE PERMABOND 737.
 - 11 USE 680 LOCTITE.
 - 12 TORQUE TO 40 IN-LBS.

PHONE: 330.264.5678 or 800.228.1161 | FAX: 330.264.2944 or 800.531.7335 | www.akronbrass.com

WARRANTY AND DISCLAIMER*: We warrant Akron Brass products for a period of five (5) years* after purchase against defects in materials or workmanship. Akron Brass will repair or replace product which fails to satisfy this warranty. Repair or replacement shall be at the discretion of Akron Brass. Products must be promptly returned to Akron Brass for warranty service. We will not be responsible for: wear and tear; any improper installation, use, maintenance or storage; negligence of the owner or user; repair or modification after delivery; failure to follow our instructions or recommendations; or anything else beyond our control. **WE MAKE NO WARRANTIES, EXPRESS OR IMPLIED, OTHER THAN THOSE INCLUDED IN THIS WARRANTY STATEMENT, AND WE DISCLAIM ANY IMPLIED WARRANTY OF MERCHANTABILITY OR FITNESS FOR ANY PARTICULAR PURPOSE.** Further, we will not be responsible for any consequential, incidental or indirect damages (including, but not limited to, any loss of profits) from any cause whatsoever. No person has authority to change this warranty. *Unless otherwise provided herein. Akron Brass industrial electronic components & the Severe-Duty Monitor have a one (1) year warranty. Select Akron Brass handline nozzles and valves carry a ten (10) year warranty. Scene Star Lights carry a (6) year warranty. Weldon products have a two (2) year warranty from date of manufacture (excluding consumable components). Select Weldon LED products carry a five (5) year warranty. Honda products have the manufacturers' warranty and Akron Brass disclaims any warranty in respect of those products.

© 2016 Akron Brass Company. All rights reserved. No portion of this can be reproduced without the express written consent of the Akron Brass Company.

Parts List Sheet:
123557
 D42294



TECHNICAL SERVICE PARTS

STYLE 3443

PRODUCT MERCURY QUICK ATTACK

IF AN ITEM IS NOTED AS "NOT FIELD REPAIRABLE", OR YOU WISH TO RETURN AN ITEM TO AKRON BRASS FOR SERVICE PLEASE GO ONLINE TO, ONLINEREPAIR.AKRONBRASS.COM

| Chg. | Date |
|------|-------|
| 17 | 03-18 |
| 18 | 01-19 |

| Find | Description | Item | QTY |
|------|-----------------------------------|--------|-----|
| 3 | SWIVEL 2.5 NH | 123528 | 1 |
| 3 | SWIVEL 2.5 BSP | 123529 | 1 |
| 3 | SWIVEL 2.5 BAF | 123536 | 1 |
| 4 | A,F SPIKE GROUND | 769666 | 3 |
| 5 | F SCREW HEX HEAD 5/16-18 x 2-3/4" | 765220 | 2 |
| 6 | O-RING 2-232 | 757045 | 1 |
| 7 | F WASHER BELLEVILLE | 784143 | 2 |
| 8 | PLUG SWIVEL 3/8 -24 x 3/16" | 742023 | 1 |
| 9 | B BALL SST 1/4" | - | 38 |
| 10 | GASKET | 717043 | 1 |
| 11 | OUTLET 2.5"NH | 118874 | 1 |
| 11 | OUTLET 2.5"BAF | 122031 | 1 |
| 12 | BALL OUTLET | 118875 | 1 |
| 13 | F BODY - WITH GAGE PORT | 126837 | 1 |
| 13 | BODY - WITH OUT GAGE PORT | 126891 | 1 |
| 14 | D SPRING | - | 1 |
| 15 | D SPRING LATCH | - | 1 |
| 16 | D WEDGE SPRING | - | 1 |
| 17 | D PIN ROLL 3/16" x 7/8" | 744088 | 1 |
| 18 | D PIN ROLL 1/8" x 7/8" | 744221 | 1 |
| 19 | D PIN ROLL 1/8" x 1/2" | - | 1 |
| 20 | D HOUSING HANDLE | - | 1 |
| 21 | D END CLEVIS | - | 1 |
| 22 | D HOLDER SPRING | - | 1 |
| 23 | D GUIDE SPRING | - | 1 |
| 24 | D WASHER CURVED SPRING | - | 1 |
| 25 | D WEDGE LATCH | - | 1 |
| 26 | D PLATE SEAL | - | 3 |
| 27 | F LEG RIGHT | 118885 | 1 |
| 28 | F LEG LEFT | 118886 | 1 |
| 29 | TRUNNION | 773339 | 4 |
| 30 | O-RING 2-235 | 757356 | 2 |
| 31 | RING RETAINER | 758286 | 1 |
| 32 | E O-RING 2-338 | 757364 | 1 |
| 35 | E O-RING 2-242 | 757073 | 1 |
| 36 | E SEAT VALVE | 769858 | 1 |
| 37 | E BALL 2.5" | 703429 | 1 |
| 39 | FLANGE INLET | 123522 | 1 |

| Find | Description | Item | QTY |
|------|------------------------------------------------|----------|-----|
| 40 | SCREW HEX HEAD 3/8-16 x 1" | 761016 | 4 |
| 41 | PLATE STOP | 742073 | 1 |
| 42 | PLATE RETAINING | 742089 | 1 |
| 43 | SCREW SOCKET HEAD CAP #10-24 x 5/8" | 765028 | 4 |
| 48 | HUB HANDLE | 721278 | 1 |
| 49 | TRUNNION HANDLE | 102178 | 1 |
| 50 | SPRING TORQUE-LOCK SQUARE | 768210 | 1 |
| 51 | RING RETAINING | 758154 | 1 |
| 52 | E O-RING 2-214 | 757010 | 1 |
| 53 | TRUNNION BALL | 102179 | 1 |
| 54 | E O-RING 2-111 | 757198 | 1 |
| 55 | TRUNNION THREAD | 102177 | 1 |
| 56 | COVER HANDLE | 109177 | 1 |
| 57 | SCREW HEX HEAD CAP 1/2-13 x 1" | 761045 | 1 |
| 58 | ROD HANDLE | 109193 | 1 |
| 59 | BALL PLASTIC | 703080 | 1 |
| 60 | E O-RING 240-0 | 757284 | 1 |
| 85 | F WASHER GLASS FILLED DELRIN | 784145 | 2 |
| 86 | BAND ID | 704710 | 1 |
| 94 | PLATE ID WARNING | 744419 | 1 |
| 95 | NAIL GRIP | 736052 | 6 |
| 96 | TAG OPEN/CLOSE | 773340 | 1 |
| 98 | SCREW HEX HEAD CAP 5/16-18 x 1/2" | 761082 | 1 |
| 99 | WASHER FLAT 5/16" | 784093 | 1 |
| 104 | STRAP ASSY WITH BOLT PLATE & HOOK | 34430039 | 1 |
| 105 | PLATE BOLT (INCLUDED IN STRAP ASSY - 34430039) | 745135 | 1 |
| 108 | SCREW SOCKET HEAD CUP POINT SET 1/4-20 x1/4" | 765002 | 1 |
| 110 | D BEARING | - | 1 |
| 111 | SHAPER STREAM | 770464 | 1 |
| 112 | GAUGE, (bar/MPa) | 718323 | 1 |
| 112 | GAUGE, (KPa/PSI) | 718322 | 1 |
| 113 | F PLUG PIPE 1/8 NPT | - | 1 |
| 200 | C BRACKET MOUNTING | 118881 | 1 |
| 201 | C BRACKET LATCH ASSEMBLY | 729407 | 1 |
| 202 | C SCREW ROUND HEAD SLOTTED #10-24 x 3/8" | 761041 | 2 |

- A: PACKET OF 3 CARBIDE TIP SPIKES P/N 94430001
- B: PACKET OF 50 BALL BEARINGS P/N 123074
- C: FOR ITEM 200, 201, 202 ORDER KIT P/N 34430001
- D: FOR ITEMS 14,15,16,17,18,19,20,21,22,23,24,25,26,110
ORDER REPAIR KIT 34430097
- E: AVAILABLE IN FIELD SERVICE KIT 91300001
- F: BODY REPAIR KIT 34432172

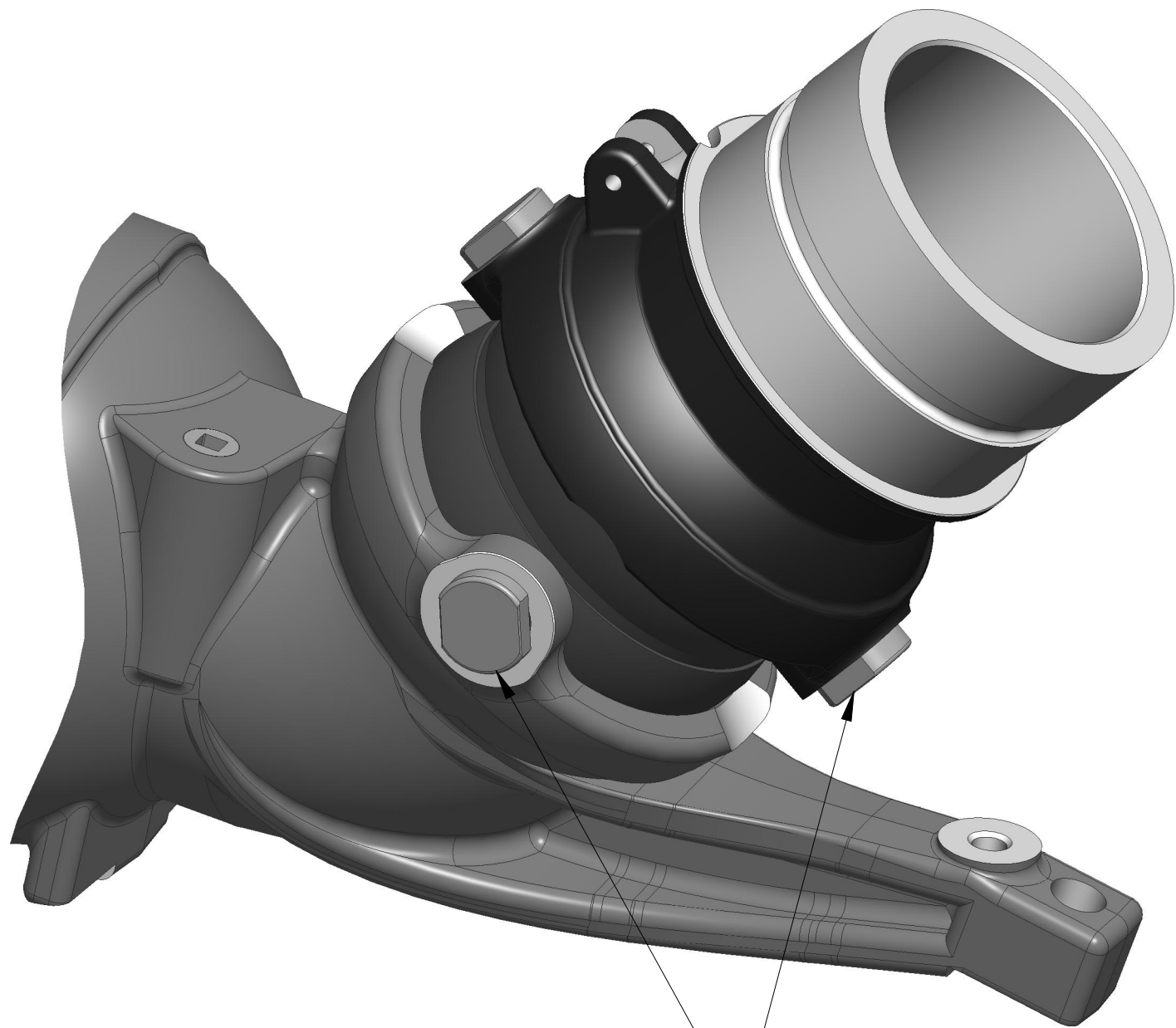
PHONE: 330.264.5678 or 800.228.1161 | FAX: 330.264.2944 or 800.531.7335 | www.akronbrass.com

Parts List Sheet:

123557

WARRANTY AND DISCLAIMER: We warrant Akron Brass products for a period of five (5) years* after purchase against defects in materials or workmanship. Akron Brass will repair or replace product which fails to satisfy this warranty. Repair or replacement shall be at the discretion of Akron Brass. Products must be promptly returned to Akron Brass for warranty service. We will not be responsible for: wear and tear; any improper installation, use, maintenance or storage; negligence of the owner or user; repair or modification after delivery; failure to follow our instructions or recommendations; or anything else beyond our control. WE MAKE NO WARRANTIES, EXPRESS OR IMPLIED, OTHER THAN THOSE INCLUDED IN THIS WARRANTY STATEMENT, AND WE DISCLAIM ANY IMPLIED WARRANTY OF MERCHANTABILITY OR FITNESS FOR ANY PARTICULAR PURPOSE. Further, we will not be responsible for any consequential, incidental or indirect damages (including, but not limited to, any loss of profits) from any cause whatsoever. No person has authority to change this warranty. *Unless otherwise provided herein. Akron Brass industrial electronic components & the Severe-Duty Monitor have a one (1) year warranty. Select Akron Brass headline nozzles and valves carry a ten (10) year warranty. Scene Star Lights carry a (6) year warranty. Weldon products have a two (2) year warranty from date of manufacture (excluding consumable components). Select Weldon LED products carry a five (5) year warranty. Honda products have the manufacturers' warranty and Akron Brass disclaims any warranty in respect of those products.

© 2016 Akron Brass Company. All rights reserved. No portion of this can be reproduced without the express written consent of the Akron Brass Company.



4X USE PRIMER T AND LOCTITE 277
THEN TORQUE TO 25 FT.LBS.