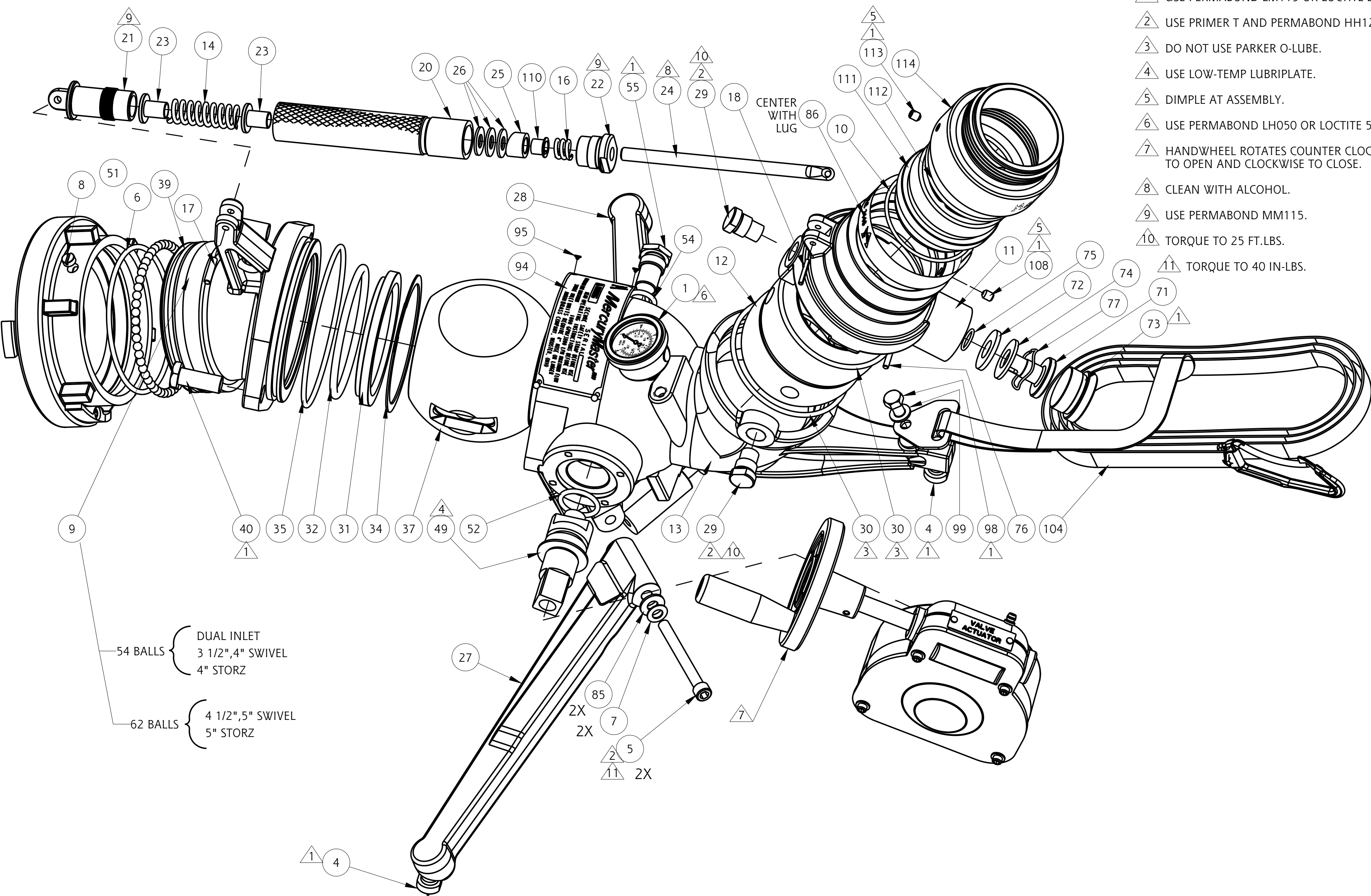


Chg.	Date
19	01-19
20	12-21

**ASSEMBLY NOTES:**  
USE PARKER O-LUBE ON ALL O-RINGS AND MATING SURFACES, UNLESS OTHERWISE NOTED.

ALL VIEWS SHOWN WITH SHUT-OFF BALL OPEN.

- ① USE PERMABOND LM113 OR LOCTITE 222.
- ② USE PRIMER T AND PERMABOND HH120 OR LOCTITE 277.
- ③ DO NOT USE PARKER O-LUBE.
- ④ USE LOW-TEMP LUBRIPLATE.
- ⑤ DIMPLE AT ASSEMBLY.
- ⑥ USE PERMABOND LH050 OR LOCTITE 592.
- ⑦ HANDWHEEL ROTATES COUNTER CLOCKWISE TO OPEN AND CLOCKWISE TO CLOSE.
- ⑧ CLEAN WITH ALCOHOL.
- ⑨ USE PERMABOND MM115.
- ⑩ TORQUE TO 25 FT.LBS.
- ⑪ TORQUE TO 40 IN-LBS.



PHONE: 800.228.1161 | [www.akronbrass.com](http://www.akronbrass.com)

**WARRANTY AND DISCLAIMER\*:** We warrant Akron Brass products for a period of five (5) years\* after purchase against defects in materials or workmanship. Akron Brass will repair or replace product which fails to satisfy this warranty. Repair or replacement shall be at the discretion of Akron Brass. Products must be promptly returned to Akron Brass for warranty service. We will not be responsible for: wear and tear; any improper installation, use, maintenance or storage; negligence of the owner or user; repair or modification after delivery; failure to follow our instructions or recommendations; or anything else beyond our control. **WE MAKE NO WARRANTIES, EXPRESS OR IMPLIED, OTHER THAN THOSE INCLUDED IN THIS WARRANTY STATEMENT, AND WE DISCLAIM ANY IMPLIED WARRANTY OF MERCHANTABILITY OR FITNESS FOR ANY PARTICULAR PURPOSE.** Further, we will not be responsible for any consequential, incidental or indirect damages (including, but not limited to, any loss of profits) from any cause whatsoever. No person has authority to change this warranty. \*Unless otherwise provided herein. Akron Brass industrial electronic components & the Severe-Duty Monitor have a one (1) year warranty. Select Akron Brass handline nozzles and valves carry a ten (10) year warranty. Scene Star Lights carry a (6) year warranty. Weldon products have a two (2) year warranty from date of manufacture (excluding consumable components). Select Weldon LED products carry a five (5) year warranty. Honda products have the manufacturers' warranty and Akron Brass disclaims any warranty in respect of those products.

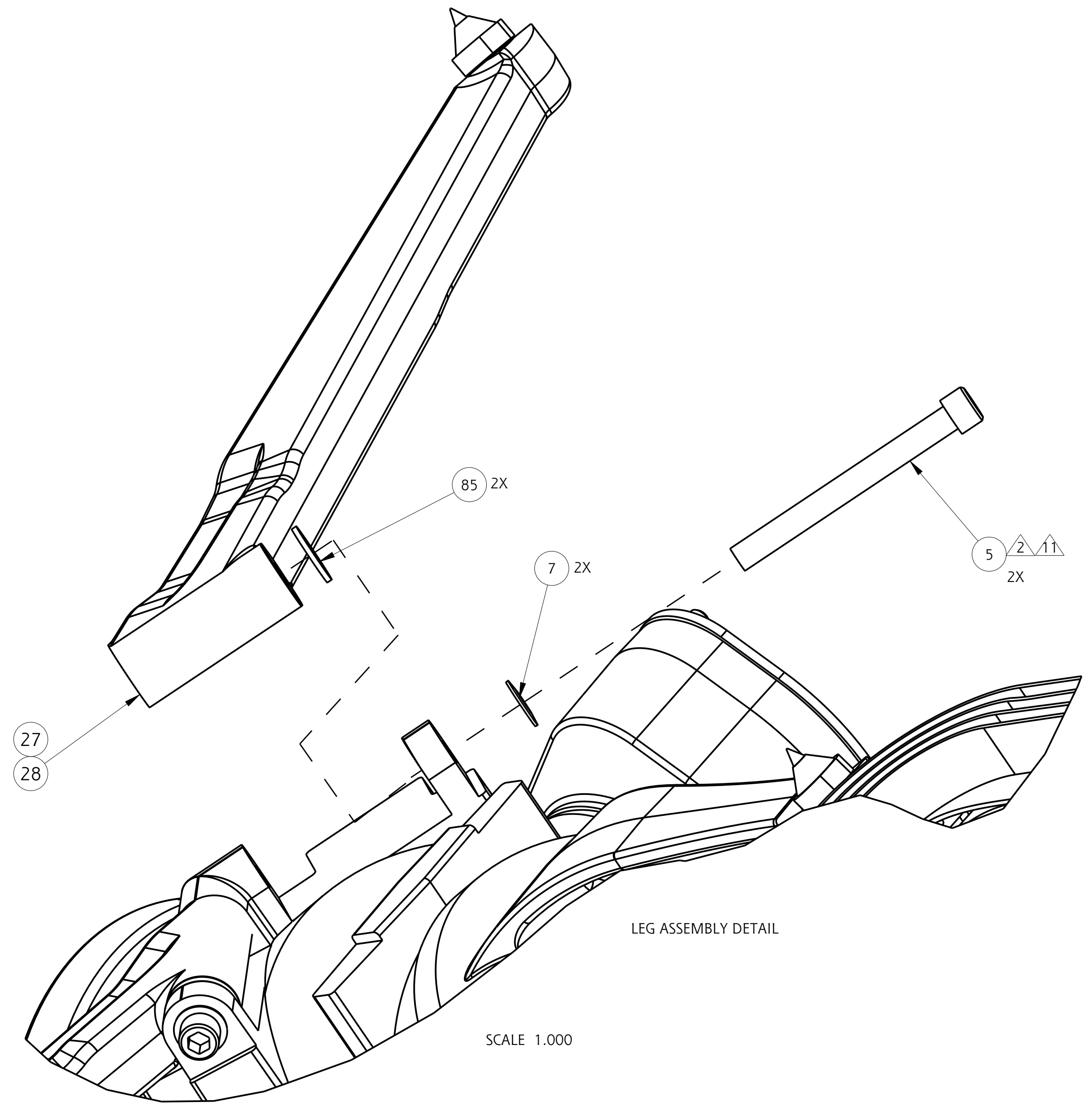
Parts List Sheet:  
**124588**



TECHNICAL SERVICE PARTS  
 STYLE 3446  
 PRODUCT MERCURY MASTER 1000

IF AN ITEM IS NOTED AS "NOT FIELD REPAIRABLE", OR YOU WISH TO RETURN AN ITEM TO AKRON BRASS FOR SERVICE PLEASE GO ONLINE TO, **ONLINEREPAIR.AKRONBRASS.COM**

Chg.	Date
19	01-19
20	12-21



LEG ASSEMBLY DETAIL

SCALE 1.000

PHONE: 800.228.1161 | www.akronbrass.com

WARRANTY AND DISCLAIMER\*: We warrant Akron Brass products for a period of five (5) years\* after purchase against defects in materials or workmanship. Akron Brass will repair or replace product which fails to satisfy this warranty. Repair or replacement shall be at the discretion of Akron Brass. Products must be promptly returned to Akron Brass for warranty service. We will not be responsible for: wear and tear; any improper installation, use, maintenance or storage; negligence of the owner or user; repair or modification after delivery; failure to follow our instructions or recommendations; or anything else beyond our control. WE MAKE NO WARRANTIES, EXPRESS OR IMPLIED, OTHER THAN THOSE INCLUDED IN THIS WARRANTY STATEMENT, AND WE DISCLAIM ANY IMPLIED WARRANTY OF MERCHANTABILITY OR FITNESS FOR ANY PARTICULAR PURPOSE. Further, we will not be responsible for any consequential, incidental or indirect damages (including, but not limited to, any loss of profits) from any cause whatsoever. No person has authority to change this warranty. \*Unless otherwise provided herein. Akron Brass industrial electronic components & the Severe-Duty Monitor have a one (1) year warranty. Select Akron Brass handline nozzles and valves carry a ten (10) year warranty. Scene Star Lights carry a (6) year warranty. Weldon products have a two (2) year warranty from date of manufacture (excluding consumable components). Select Weldon LED products carry a five (5) year warranty. Honda products have the manufacturers' warranty and Akron Brass disclaims any warranty in respect of those products.

Parts List Sheet:

124588



TECHNICAL SERVICE PARTS  
 STYLE 3446  
 PRODUCT MERCURY MASTER 1000

IF AN ITEM IS NOTED AS "NOT FIELD REPAIRABLE", OR YOU WISH TO RETURN AN ITEM TO AKRON BRASS FOR SERVICE PLEASE GO ONLINE TO, [ONLINEREPAIR.AKRONBRASS.COM](http://ONLINEREPAIR.AKRONBRASS.COM)

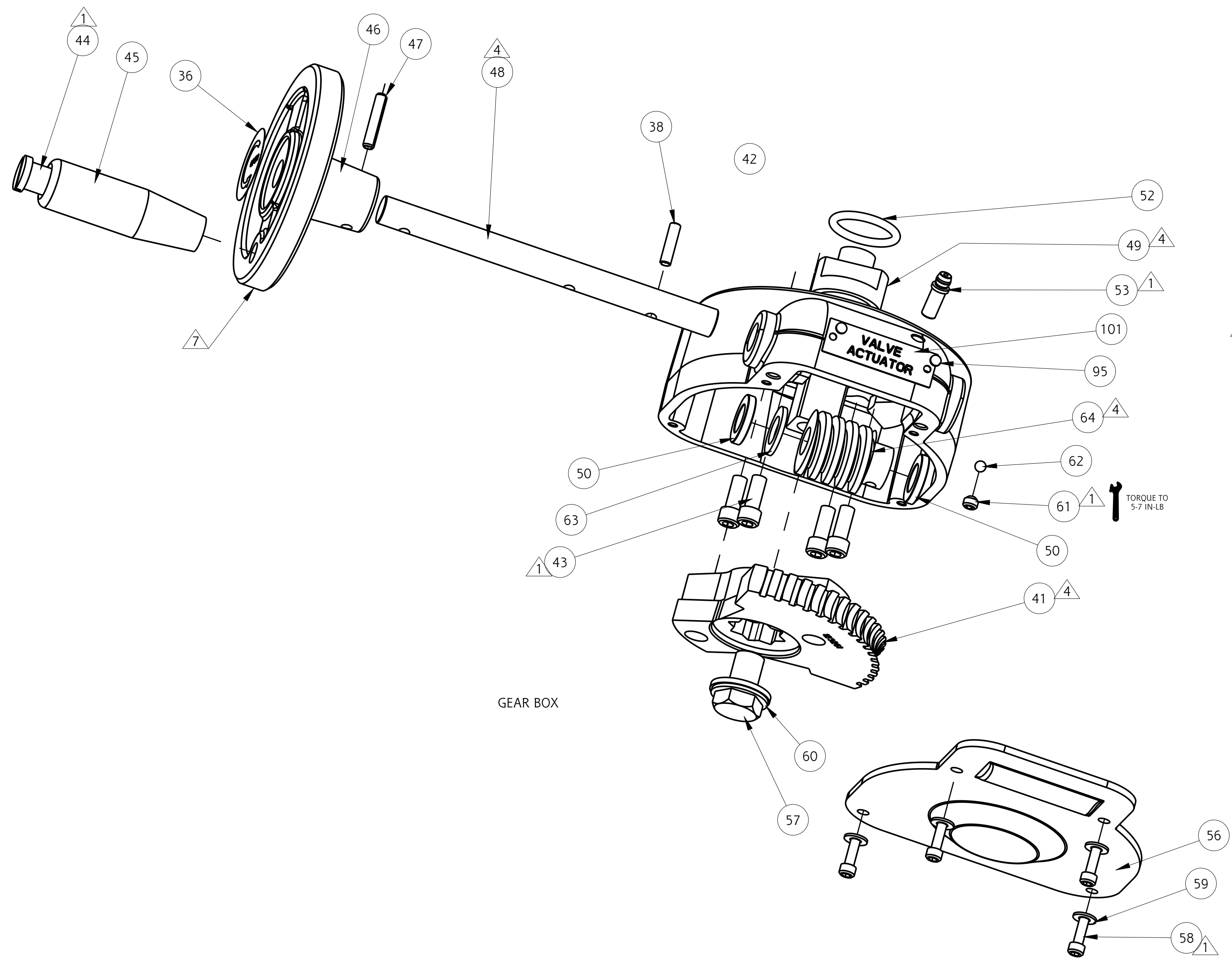
Chg.	Date
19	01-19
20	12-21

ASSEMBLY NOTES:

USE PARKER O-LUBE ON ALL O-RINGS AND MATING SURFACES, UNLESS OTHERWISE NOTED.

ALL VIEWS SHOWN WITH SHUT-OFF BALL OPEN.

- ① USE PERMABOND LM113 OR LOCTITE 222.
- ② USE PRIMER T AND PERMABOND HH120 OR LOCTITE 277.
- ③ DO NOT USE PARKER O-LUBE.
- ④ USE LOW-TEMP LUBRIPLATE.
- ⑤ DIMPLE AT ASSEMBLY.
- ⑥ USE PERMABOND LH050 OR LOCTITE 592.
- ⑦ HANDWHEEL ROTATES COUNTER CLOCKWISE TO OPEN AND CLOCKWISE TO CLOSE.
- ⑧ CLEAN WITH ALCOHOL.
- ⑨ USE PERMABOND MM115.
- ⑩ TORQUE TO 25 FT.LBS.
- ⑪ TORQUE TO 40 IN-LBS.



PHONE: 800.228.1161 | [www.akronbrass.com](http://www.akronbrass.com)

WARRANTY AND DISCLAIMER\*: We warrant Akron Brass products for a period of five (5) years\* after purchase against defects in materials or workmanship. Akron Brass will repair or replace product which fails to satisfy this warranty. Repair or replacement shall be at the discretion of Akron Brass. Products must be promptly returned to Akron Brass for warranty service. We will not be responsible for: wear and tear; any improper installation, use, maintenance or storage; negligence of the owner or user; repair or modification after delivery; failure to follow our instructions or recommendations; or anything else beyond our control. WE MAKE NO WARRANTIES, EXPRESS OR IMPLIED, OTHER THAN THOSE INCLUDED IN THIS WARRANTY STATEMENT, AND WE DISCLAIM ANY IMPLIED WARRANTY OF MERCHANTABILITY OR FITNESS FOR ANY PARTICULAR PURPOSE. Further, we will not be responsible for any consequential, incidental or indirect damages (including, but not limited to, any loss of profits) from any cause whatsoever. No person has authority to change this warranty. \*Unless otherwise provided herein. Akron Brass industrial electronic components & the Severe-Duty Monitor have a one (1) year warranty. Select Akron Brass handline nozzles and valves carry a ten (10) year warranty. Scene Star Lights carry a (6) year warranty. Weldon products have a two (2) year warranty from date of manufacture (excluding consumable components). Select Weldon LED products carry a five (5) year warranty. Honda products have the manufacturers' warranty and Akron Brass disclaims any warranty in respect of those products.  
 © 2016 Akron Brass Company. All rights reserved. No portion of this can be reproduced without the express written consent of the Akron Brass Company.

Parts List Sheet:  
**124588**  
 D43499



# TECHNICAL SERVICE PARTS

STYLE 3446

PRODUCT MERCURY MASTER 1000

IF AN ITEM IS NOTED AS "NOT FIELD REPAIRABLE", OR YOU WISH TO RETURN AN ITEM TO AKRON BRASS FOR SERVICE PLEASE GO ONLINE TO, [ONLINEREPAIR.AKRONBRASS.COM](http://ONLINEREPAIR.AKRONBRASS.COM)

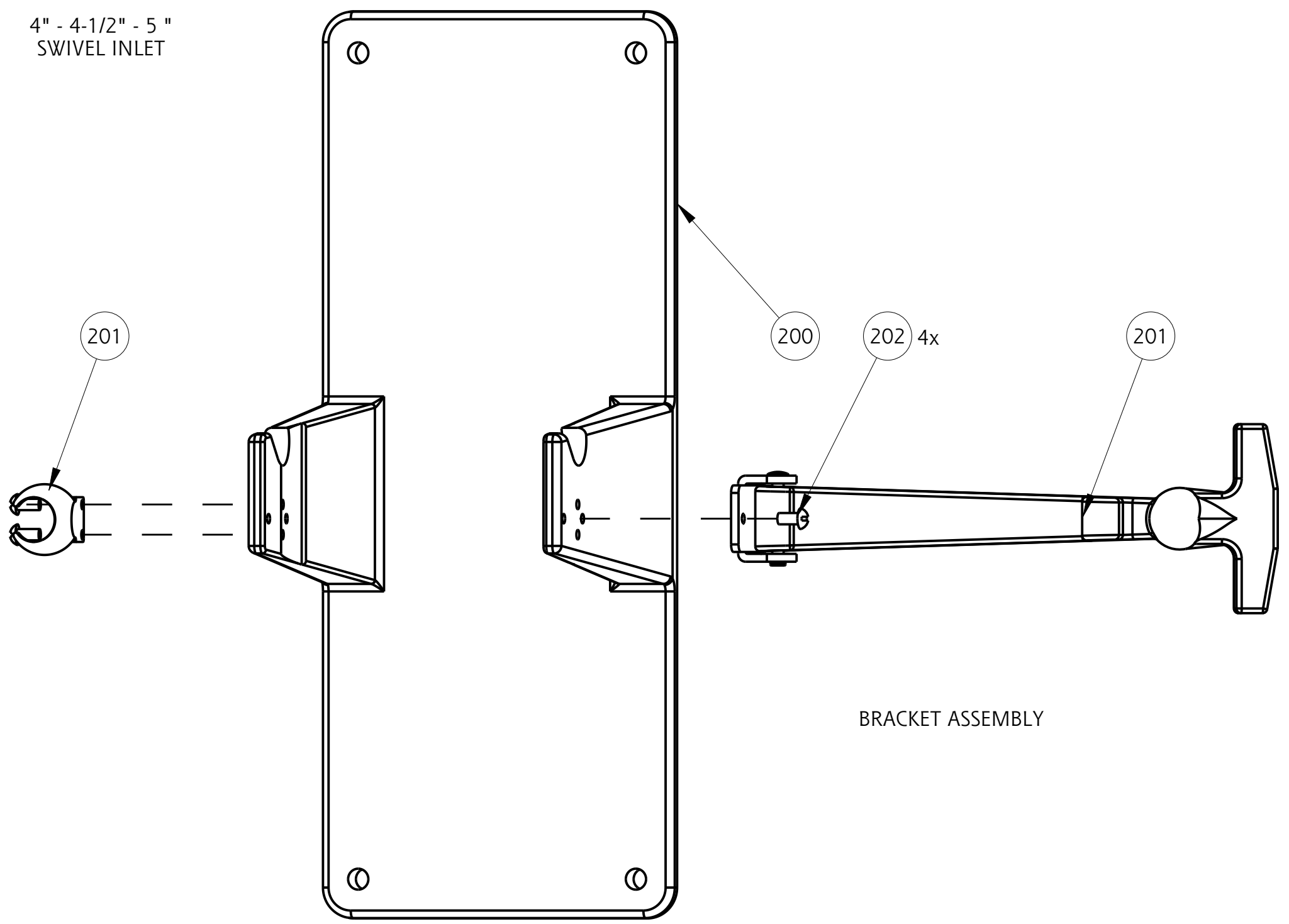
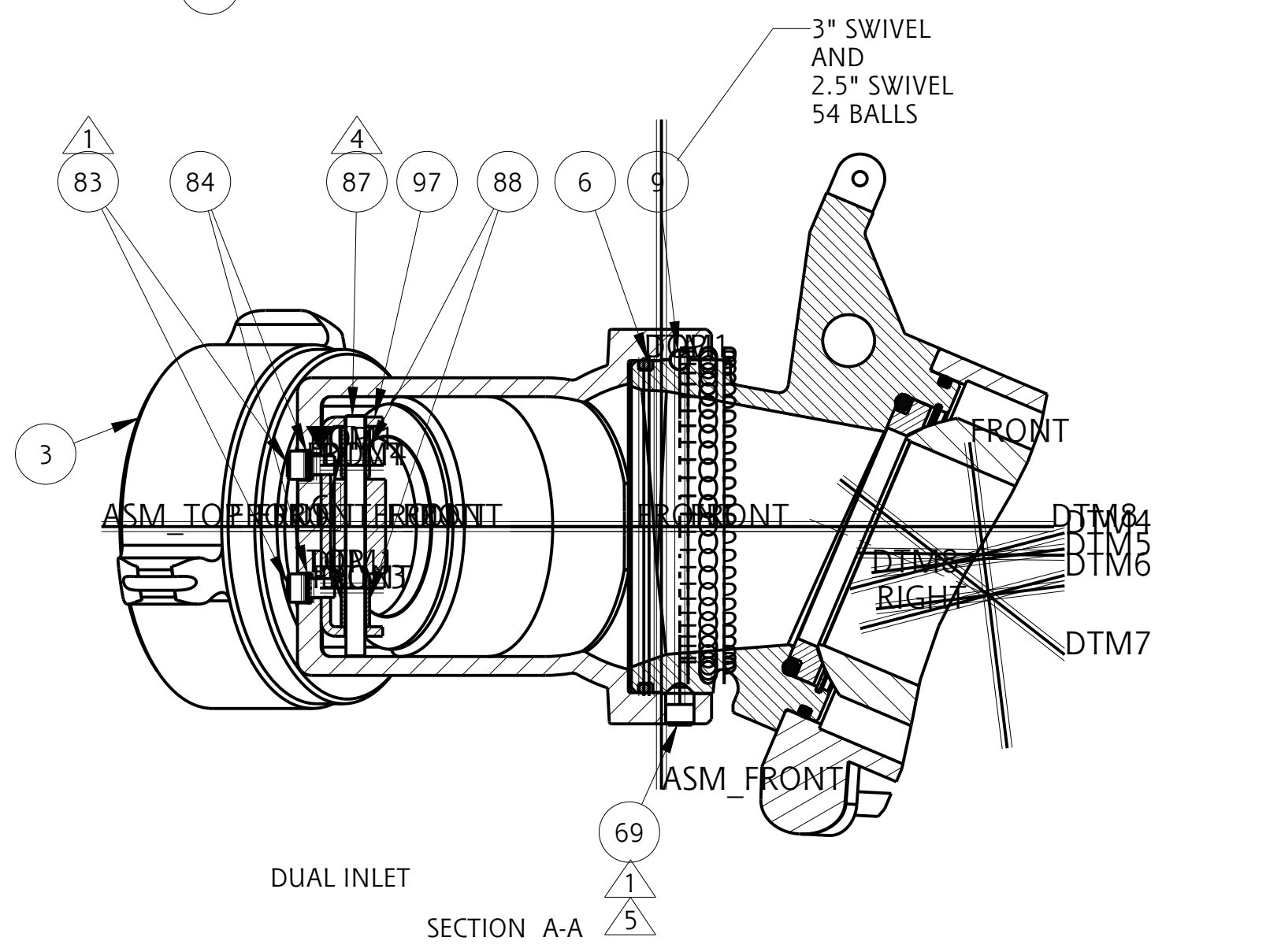
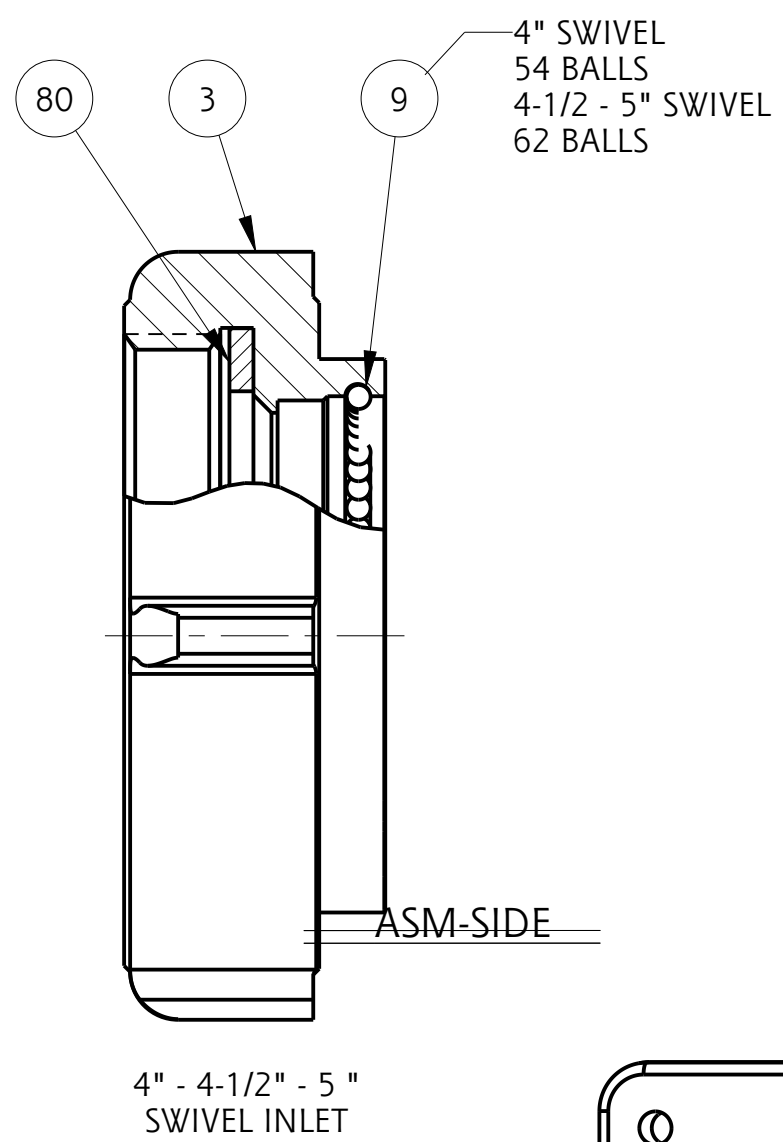
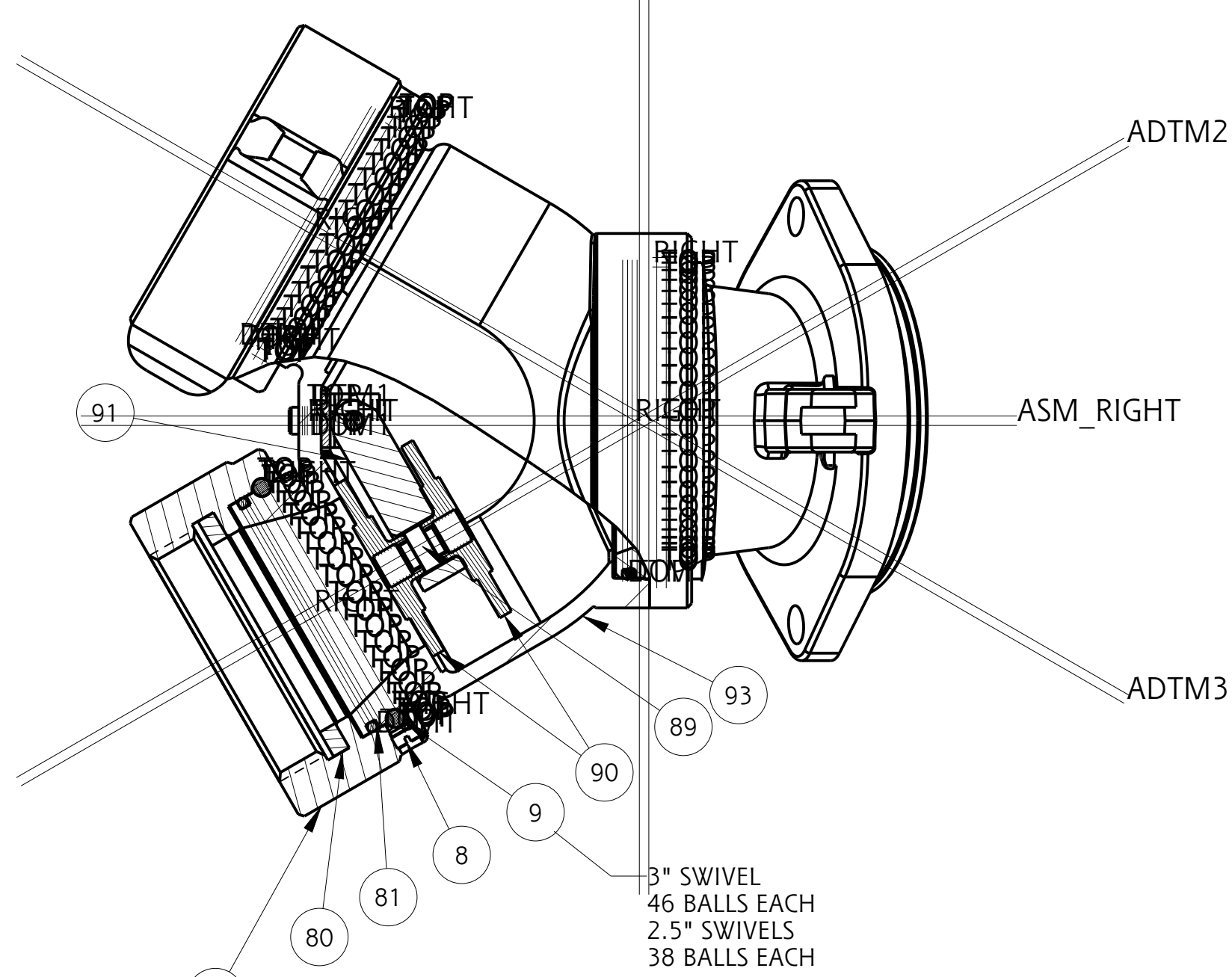
Chg.	Date
19	01-19
20	12-21

### ASSEMBLY NOTES:

USE PARKER O-LUBE ON ALL O-RINGS AND MATING SURFACES, UNLESS OTHERWISE NOTED.

ALL VIEWS SHOWN WITH SHUT-OFF BALL OPEN.

- 1 USE PERMABOND LM113 OR LOCTITE 222.
- 2 USE PRIMER T AND PERMABOND HH120 OR LOCTITE 277.
- 3 DO NOT USE PARKER O-LUBE.
- 4 USE LOW-TEMP LUBRIPLATE.
- 5 DIMPLE AT ASSEMBLY.
- 6 USE PERMABOND LH050 OR LOCTITE 592.
- 7 HANDWHEEL ROTATES COUNTER CLOCKWISE TO OPEN AND CLOCKWISE TO CLOSE.
- 8 CLEAN WITH ALCOHOL.
- 9 USE PERMABOND MM115.
- 10 TORQUE TO 25 FT.LBS.
- 11 TORQUE TO 40 IN-LBS.



PHONE: 800.228.1161 | [www.akronbrass.com](http://www.akronbrass.com)

**WARRANTY AND DISCLAIMER:** We warrant Akron Brass products for a period of five (5) years\* after purchase against defects in materials or workmanship. Akron Brass will repair or replace product which fails to satisfy this warranty. Repair or replacement shall be at the discretion of Akron Brass. Products must be promptly returned to Akron Brass for warranty service. We will not be responsible for: wear and tear; any improper installation, use, maintenance or storage; negligence of the owner or user; repair or modification after delivery; failure to follow our instructions or recommendations; or anything else beyond our control. WE MAKE NO WARRANTIES, EXPRESS OR IMPLIED, OTHER THAN THOSE INCLUDED IN THIS WARRANTY STATEMENT, AND WE DISCLAIM ANY IMPLIED WARRANTY OF MERCHANTABILITY OR FITNESS FOR ANY PARTICULAR PURPOSE. Further, we will not be responsible for any consequential, incidental or indirect damages (including, but not limited to, any loss of profits) from any cause whatsoever. No person has authority to change this warranty. \*Unless otherwise provided herein. Akron Brass industrial electronic components & the Severe-Duty Monitor have a one (1) year warranty. Select Akron Brass handline nozzles and valves carry a ten (10) year warranty. Scene Star Lights carry a (6) year warranty. Weldon products have a two (2) year warranty from date of manufacture (excluding consumable components). Select Weldon LED products carry a five (5) year warranty. Honda products have the manufacturers' warranty and Akron Brass disclaims any warranty in respect of those products.

© 2016 Akron Brass Company. All rights reserved. No portion of this can be reproduced without the express written consent of the Akron Brass Company.

Parts List Sheet:  
**124588**

D43499



TECHNICAL SERVICE PARTS

STYLE 3446

PRODUCT MERCURY MASTER 1000

IF AN ITEM IS NOTED AS "NOT FIELD REPAIRABLE", OR YOU WISH TO RETURN AN ITEM TO AKRON BRASS FOR SERVICE PLEASE GO ONLINE TO, **ONLINEREPAIR.AKRONBRASS.COM**

Chg.	Date
19	01-19
20	12-21

Find	Description	Item	QTY
1	GAUGE PRESSURE 0-350 LBS	718322	1
4	SPIKE GROUND	94430001	1
5	SCREW HEX HEAD 5/16-18 X 3"	765247	2
7	WASHER BELLEVILLE	784143	2
8	D PLUG SWIVEL 3/8 -24 X 3/16"	-	1
10	O-RING 2-148	757332	1
11	OUTLET	120301	1
12	BALL OUTLET	120297	1
13	BODY	120303	1
14	B SPRING	-	1
15	SPRING LATCH	769694	1
16	B SPRING WEDGE	-	1
17	B PIN ROLL 3/16 X 7/8LG	-	1
18	B PIN ROLL 5/32 X 15/16LG	-	1
20	B HOUSING HANDLE	-	1
21	B END CLEVIS	-	1
22	B HOLDER SPRING	-	1
23	B GUIDE SPRING	-	2
24	B SHAFT	-	1
25	B WEDGE LATCH	-	1
26	B PLATE LATCH	-	3
27	LEG RIGHT	124283	1
28	LEG LEFT	124305	1
29	TRUNNION	772226	3
30	O-RING 2-239	757367	2
31	A SEAT VALVE	-	1
32	A O-RING 2-342	-	1
34	RING RETAINER	756121	1
35	A O-RING 2-247	-	1
36	LABEL CCW "OPEN"	729586	1
37	A BALL 3"	-	1
38	PIN ROLL	744068	1
40	SCREW HEX HEAD 1/2-13 X 1-1/4"	765209	2
41	GEAR SECTOR	121330	1
42	HOUSING GEAR	120302	1
43	SCREW SOCKET HEAD CAP 1/4 -20 X 5/8"	765029	4
44	PIN HANDWHEEL HANDLE	741044	1
45	BUSHING 2.5"	101692	1
46	HANDWHEEL 4"	109281	1
47	PIN ROLL	744084	1
48	SHAFT HANDWHEEL	768374	1
49	TRUNNION ACTUATOR	120296	1
50	SPACER GEAR	768375	2
52	A O-RING 2-214	-	1
53	FITTING GREASE 1/4-28	713034	1
54	A O-RING 2-207	-	1
55	TRUNNION THREADED	772224	1
56	PLATE COVER	743003	1
57	SCREW HEX HEAD CAP 1/2 -13 X 3/4"	761065	1

PHONE: 800.228.1161 | www.akronbrass.com

WARRANTY AND DISCLAIMER\*: We warrant Akron Brass products for a period of five (5) years\* after purchase against defects in materials or workmanship. Akron Brass will repair or replace product which fails to satisfy this warranty. Repair or replacement shall be at the discretion of Akron Brass. Products must be promptly returned to Akron Brass for warranty service. We will not be responsible for: wear and tear; any improper installation, use, maintenance or storage; negligence of the owner or user; repair or modification after delivery; failure to follow our instructions or recommendations; or anything else beyond our control. WE MAKE NO WARRANTIES, EXPRESS OR IMPLIED, OTHER THAN THOSE INCLUDED IN THIS WARRANTY STATEMENT, AND WE DISCLAIM ANY IMPLIED WARRANTY OF MERCHANTABILITY OR FITNESS FOR ANY PARTICULAR PURPOSE. Further, we will not be responsible for any consequential, incidental or indirect damages (including, but not limited to, any loss of profits) from any cause whatsoever. No person has authority to change this warranty. \*Unless otherwise provided herein. Akron Brass industrial electronic components & the Severe-Duty Monitor have a one (1) year warranty. Select Akron Brass handline nozzles and valves carry a ten (10) year warranty. Scene Star Lights carry a (6) year warranty. Weldon products have a two (2) year warranty from date of manufacture (excluding consumable components). Select Weldon LED products carry a five (5) year warranty. Honda products have the manufacturers' warranty and Akron Brass disclaims any warranty in respect of those products.

© 2016 Akron Brass Company. All rights reserved. No portion of this can be reproduced without the express written consent of the Akron Brass Company.

Parts List Sheet:

124588

D43499



**TECHNICAL SERVICE PARTS**

STYLE 3446

PRODUCT MERCURY MASTER 1000

IF AN ITEM IS NOTED AS "NOT FIELD REPAIRABLE", OR YOU WISH TO RETURN AN ITEM TO AKRON BRASS FOR SERVICE PLEASE GO ONLINE TO, **ONLINEREPAIR.AKRONBRASS.COM**

Chg.	Date
19	01-19
20	12-21

Find	Description	Item	QTY
58	SCREW SOCKET HEAD CAP NYLON PATCH 8-32X1/2"	765155	4
59	WASHER #8	784123	4
60	WASHER FLAT	784068	1
61	SCREW ALLEN HEAD 1/4 -20 X 3/16"	765008	1
62	BALL 3/16 OD NYLON	704031	1
63	WASHER THRUST	784103	1
64	WORM GEAR	784190	1
71	TRUNNION BRAKE ROTATIONAL	772225	1
72	SPACER	769765	1
73	CAP ROTATIONAL	120295	1
74	SPACER ROTATIONAL	120293	1
75	O-RING 2-015	757112	1
76	PIN FRICTION BRAKE	744436	1
77	SPRING	768373	1
81	O-RING 2-237	757081	2
81	O-RING 2-232	757045	2
83	SCREW SOCKET HEAD CAP 1/4 -20 X 3/8"	766043	2
84	O-RING 2-008	757084	2
85	WASHER GLASS FILLED DELRIN	784145	2
86	BAND ID	703650	1
87	C PIN CLAPPER AXIS	-	1
88	C SPACER CLAPPER	-	2
89	C SCREW CLAPPER	-	1
90	C DISC VALVE	-	2
91	C ARM CLAPPER	-	1
94	PLATE ID	745268	1
95	NAIL GRIP	736052	8
97	C BRACKET CLAPPER VALVE	-	1
98	SCREW HEX HEAD CAP5/16-18 X 1/2"	761082	1
99	WASHER FLAT 5/16	784093	1
101	TAG VALVE ACTUATOR	773375	1
104	STRAP ASSEMBLY WITH BOLT PLATE & HOOK	34430039	1
108	SCREW SOCKET HEAD CUP POINT SET 1/4 -20 X 1/4"	765002	1
110	B BEARING NYLINER 3/8"	-	1
111	OUTLET WITH SHAPER	120294	1
112	* GASKET ADAPTER	-	1
113	SCREW SOCKET HEAD CUP POINT SET 1/4 -20 X 1/4"	765002	1
114	* ADAPTER SPECIAL THREAD	-	1
200	BRACKET MOUNTING	120378	1
201	BRACKET LATCH ASSEMBLY	729407	1
202	SCREW ROUND HEAD SLOTTED #10-24 X 3/8"	761041	1
A	FIELD SERVICE KIT	91310001	
B	HANDLE REPAIR KIT	34462010	
C	CLAPPER VALVE S/A	34462013	
D	KIT OF 50 BALLS 1/4" ST. STL.	703051	

FIND	DESCRIPTION	INLET SIZE				
		2.5	3	4	4.5	5
3	SWIVEL NH (ITEM No)	123528	120327	120325	120324	120326
6	O-RING 2-243	757337	757337	757337	-	-
6	O-RING 2-247	-	-	-	757078	757078
9	D Ø 1/4 BALL QTY'S	SEE DRAWING VIEWS FOR QUANTITIES				
39	INLET ADAPTER (ITEM No.)	120300	120300	120300	120335	120335
51	STORZ FITTING	-	-	713205	-	713206
80	GASKET	717043	714022	714024	714025	714026
93	DUAL INLET (ITEM No)	124591	120321	-	-	-

\* CONTACT CUSTOMER SERVICE.

PHONE: 800.228.1161 | [www.akronbrass.com](http://www.akronbrass.com)

**WARRANTY AND DISCLAIMER\***: We warrant Akron Brass products for a period of five (5) years\* after purchase against defects in materials or workmanship. Akron Brass will repair or replace product which fails to satisfy this warranty. Repair or replacement shall be at the discretion of Akron Brass. Products must be promptly returned to Akron Brass for warranty service. We will not be responsible for: wear and tear; any improper installation, use, maintenance or storage; negligence of the owner or user; repair or modification after delivery; failure to follow our instructions or recommendations; or anything else beyond our control. WE MAKE NO WARRANTIES, EXPRESS OR IMPLIED, OTHER THAN THOSE INCLUDED IN THIS WARRANTY STATEMENT, AND WE DISCLAIM ANY IMPLIED WARRANTY OF MERCHANTABILITY OR FITNESS FOR ANY PARTICULAR PURPOSE. Further, we will not be responsible for any consequential, incidental or indirect damages (including, but not limited to, any loss of profits) from any cause whatsoever. No person has authority to change this warranty. \*Unless otherwise provided herein. Akron Brass industrial electronic components & the Severe-Duty Monitor have a one (1) year warranty. Select Akron Brass handline nozzles and valves carry a ten (10) year warranty. Scene Star Lights carry a (6) year warranty. Weldon products have a two (2) year warranty from date of manufacture (excluding consumable components). Select Weldon LED products carry a five (5) year warranty. Honda products have the manufacturers' warranty and Akron Brass disclaims any warranty in respect of those products.

Parts List Sheet:

**124588**