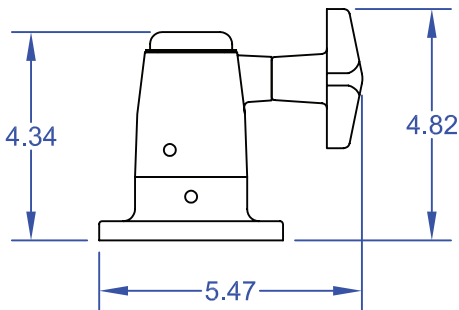
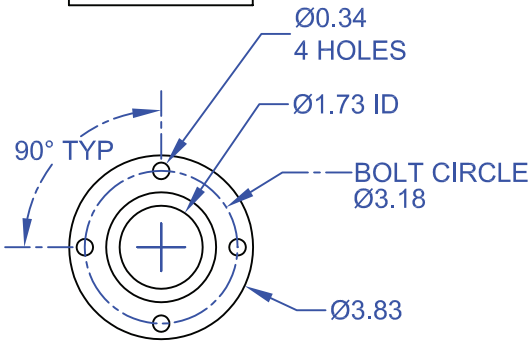
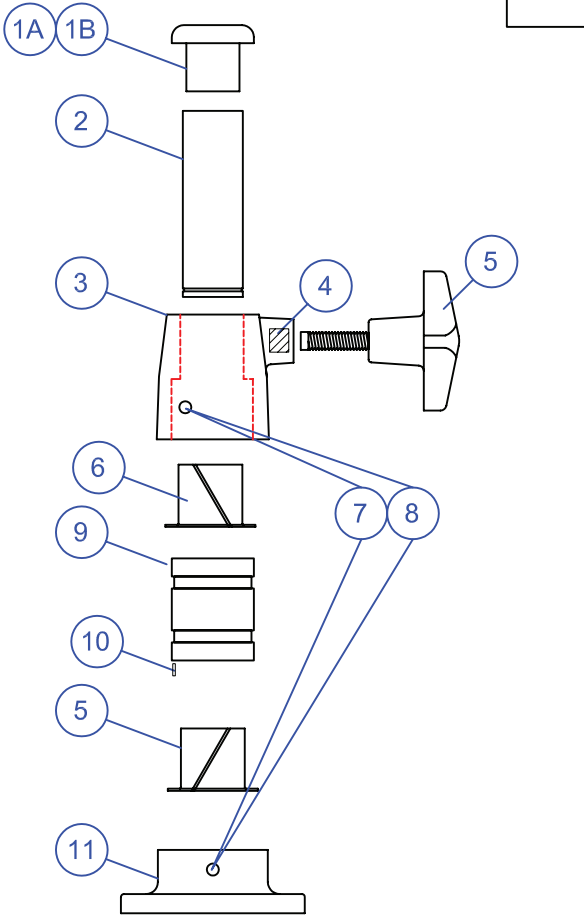


# SWIVEL BASE ASSEMBLY



OVERALL  
SWIVEL BASE  
DIMENSIONS

## PARTS LIST

ITEM NO.	PART NO.	DESCRIPTION	QTY.
1A	101-TB	1/2" TOP BUSHING *	1
1B	103-TB	3/4" TOP BUSHING **	1
2	EP-125-02	SHORT INSIDE POLE	1
3	LC	LOCKING COLLAR INCLUDES P/N's 3, 4, 5, 6, 7 & 8	1
4	123-SP	LOCKING PUCK	1
5	120-KB	HAND KNOB	1
6	126-NS	NYLON SLEEVE	2
7	125-SS	S.S. SET SCREW	3
8	128-SS	S.S. THREAD INSERT	3
9	EP-171-03	SHORT OUTSIDE POLE	1
10	119-PN	359° STOP ROLL PIN	1
11	111-TM-SHORT	SHORT TOP MOUNT	1

### NOTES:

- \* 101-TB IS USED IF LIGHT IS A NORTH STAR HEAD
- \*\* 103-TB IS USED IF LIGHT IS A STONCO HEAD

ISO-9001 CERTIFIED



Akron Brass Company

A Premier Farnell Company

501 N. Cummings Lane, Washington, IL 61571

Phone: (309)444-4440 Fax: (309)444-8766