


Tripod Order Form





STEP 1 : SELECT YOUR LIGHT HEAD

Select the appropriate light head for your available power supply (AC or DC).

AC (generator or shore-powered)

Description	Select One	Light Head	Lumens	Voltage	Wattage	Certifications	Head Height
SceneStar 	<input type="checkbox"/>	ELSS-XLAC	20,000	120	220	UL, ROHS, CSA	12"
	<input type="checkbox"/>	ELSS-XLAC2	20,000	240	220	CE, ROHS	12"

DC (truck battery-powered)

Description	Select One	Light Head	Lumens	Voltage	Wattage	Certifications	Head Height
SceneStar 	<input type="checkbox"/>	ELSS-SLDC	14,000	10-32	150	CE, ROHS	12"
	<input type="checkbox"/>	ELSS-XLDC	19,000	10-32	220	ROHS	12"
Revel (ELRE-XLDC shown below) 	<input type="checkbox"/>	ELRE-SLDC	14,000	10-32	110	ROHS	10.75"
	<input type="checkbox"/>	ELRE-XLDC	28,000	10-32	220	ROHS	10.75"

All SceneStar light head body colors are white and include black handles on the top and bottom of the light head.

Extra fees apply for items indicated with an asterisk (*).
 Send PO & completed order guide to akroncare@idexcorp.com or call 800.228.1161

Tripod Order Form



STEP 2 : SELECT ACCESSORIES

	POLE DIMENSIONS (mm)		
	A	B	C
<input type="checkbox"/> T1	60" (1524 mm)	118" (2997.2 mm)	48" (1219.2 mm)
<input type="checkbox"/> T4	52" (1320.8 mm)	96" (2438.4 mm)	48" (1219.2 mm)
<input type="checkbox"/> T2	41" (1041.4 mm)	74" (1879.6 mm)	39" (990.6 mm)
<input type="checkbox"/> T5	26" (660.4 mm)	43" (1092.2 mm)	22" (558.8 mm)

Collars

- Twist Lock (standard)
- Lock Collar with knob (LC)



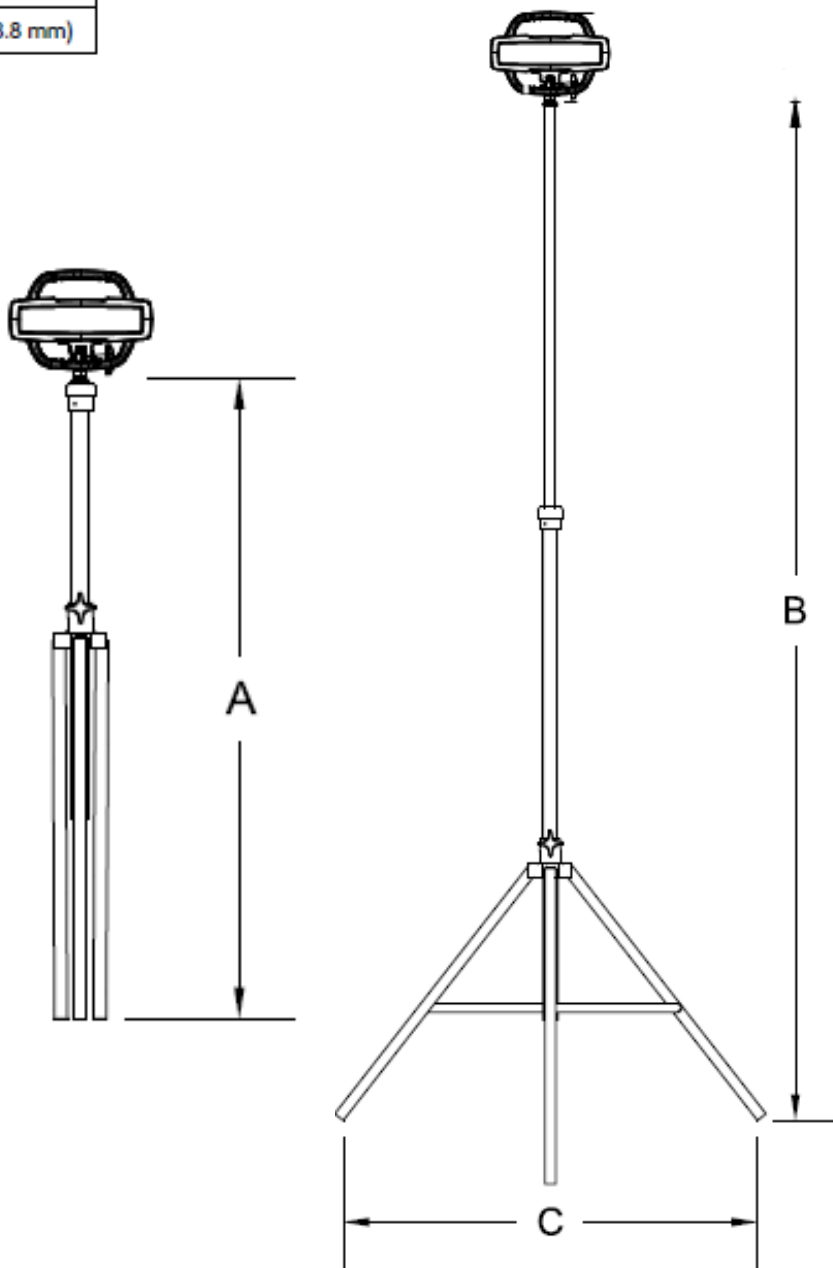
Mounting Options

- No Brackets
- POD-Bracket
3 piece tripod mounting system
- POD-Bracket-Long
3 piece tripod mounting system - long
- POD-Ring-Only



Plug Options

- No Plug
- L5-15 120 Volt 15 AMP Twist lock
- 5-15 120 Volt 15 AMP
- 5-15 GFI 120 Volt 15 AMP
- 5-15 120 Volt 15 AMP
- L5-20 120 Volt 20 AMP Twistlock
- L5-30 120 Volt 30 AMP Twistlock
- L6-20 240 Volt 20 AMP Twistlock



Extra fees apply for items indicated with an asterisk (*).
Send PO & completed order guide to akroncare@idexcorp.com or call 800.228.1161