



AKRON[®]
BRASS COMPANY

**STYLE 6036 CAN DIRECTION INDICATOR
INSTALLATION, OPERATION & MAINTENANCE MANUAL**



TABLE OF CONTENTS

PRODUCT SUMMARY	2
6036 CAN DIRECTION INDICATOR.....	3
INSTALLATION INSTRUCTIONS	4
TOOLS & MATERIALS REQUIRED.....	4
MECHANICAL INSTALLATION.....	4
ELECTRICAL INSTALLATION INSTRUCTIONS.....	7
OPERATING INSTRUCTIONS	10
NORMAL OPERATION.....	10
MAINTENANCE INSTRUCTIONS	12
TROUBLESHOOTING	13
AKROVIEW SOFTWARE.....	13
REVISION HISTORY	14

LIST OF ILLUSTRATIONS

Figure 1 – Surface Mounting Hole Layout.....	5
Figure 2 – Flush Mount Hole Layout.....	6
Figure 3 – Adapter Plate Hole Layout.....	6
Figure 4 – Connector Label.....	7
Figure 5 - Typical Electrical Connections.....	8
Figure 6 – Typical J1939 Wiring.....	9
Figure 7 – Landscape Label.....	10
Figure 8 – Portrait Label.....	11

SAFETY SUMMARY

SIGNAL WORD DEFINITION

Per the ANSI Z535.4 standard, the following signal words and definitions are used to indicate hazardous situations:

DANGER

DANGER indicates an imminently hazardous situation that, if not avoided, will result in death or serious injury.

WARNING

WARNING indicates a potentially hazardous situation that, if not avoided, could result in death or serious injury.

CAUTION

CAUTION indicates a potentially hazardous situation that, if not avoided, may result in minor or moderate injury. It is also used to alert against unsafe practices.

GENERAL SAFETY PRECAUTIONS

The following are general safety precautions that are not related to any specific procedures and therefore do not appear elsewhere in this publication. These are recommended precautions that personnel must understand and apply during many phases of operation and maintenance.

WARNING

For fire fighting use only by trained fire fighters.

CAUTION

Although the enclosure for the Direction Indicator is water-resistant, it is important to keep water out of the enclosure. Prolonged exposure to water will cause damage. When the cover of the enclosure is removed, make sure the seal under the cover is intact and free of dirt and debris.

CAUTION

This product must be wired in adherence with the SAE J1939/11 specification. Failure to do so may result in sporadic operation or non-operation.

CAUTION

While this device is designed to reside on a standard J1939 CAN network, it is recommended that Akron Brass CAN products operate on their own CAN network isolated from the other CAN networks on the vehicle.

PRODUCT SPECIFICATIONS

6036 CAN DIRECTION INDICATOR

- Power - 8 to 33 volts DC, <.25 amperes
- Operating Temperature - -40°C. to +85°C.
- Storage Temperature - -50°C. to +85°C.
- Communications – J1939/11 CAN Network

INSTALLATION INSTRUCTIONS

TOOLS & MATERIALS REQUIRED

- Medium Phillips screwdriver • Small flat screwdriver
- Metric Allen Wrench Set
- Deutsch Crimping Tool
- Deutsch DTM06-4S-CE13 or equivalent and associated crimp terminals
- Optional Akron Brass 721579 pre-wired connector/harness

MECHANICAL INSTALLATION

The 6036 CAN Direction Indicator comes with a mounting kit that allows either surface or flush mounting.

For a surface mount application, carefully remove the lid of the Direction Indicator by loosening the four screws on each corner of the lid. Drop one each of the M2.5 X 14 mm cap screws head first into the four holes in the main enclosure body directly under the four small holes in the lid. Replace and reattach the lid. Using the appropriate Allen wrench, attach the flush mount bezel to the Direction Indicator. See Figure 1 for recommended panel cutout.

For a flush mount application, three methods may be utilized. When access to the back of the mounting surface is available, use four M5 screws from behind to directly mount the Direction Indicator to the surface. See Figure 2 for recommended hole layout.

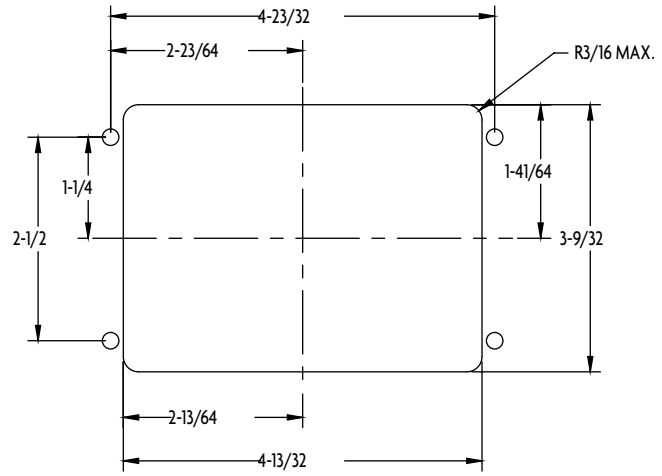
A second flush mount method utilizes the included adapter plate. Use the included M5 flat head screws to attach the adapter plate to the bottom of the Direction Indicator. Next, utilizing four screws of the customer's choosing, attach the Direction Indicator to the mounting surface. See Figure 3 for recommended hole layout.

A third flush mount method is achieved by inserting four screws through the top of the lid all the way through the CAN Direction Indicator to threaded holes located underneath in the mounting surface.

CAUTION

Although the enclosure for the Direction Indicator is water-resistant, it is important to keep water out of the enclosure. Prolonged exposure to water will cause damage. When the cover of the enclosure is removed, make sure the seal under the cover is intact and free of dirt and debris.

Figure 1



Surface Mounting Hole Layout

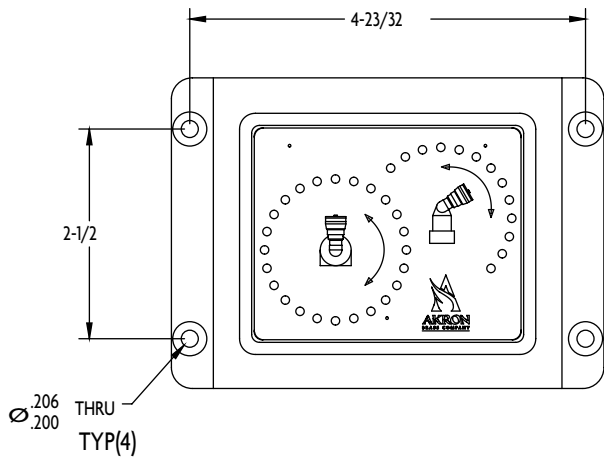


Figure2

Flush Mount Hole Layout

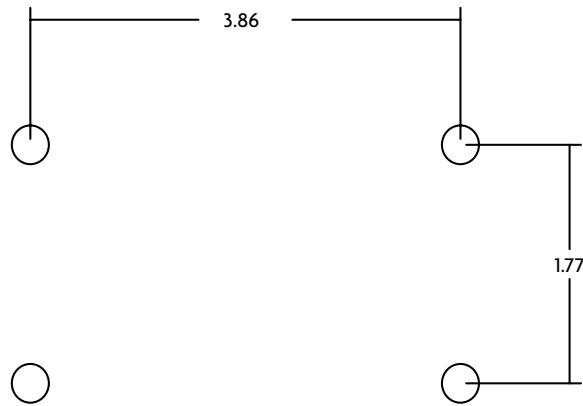
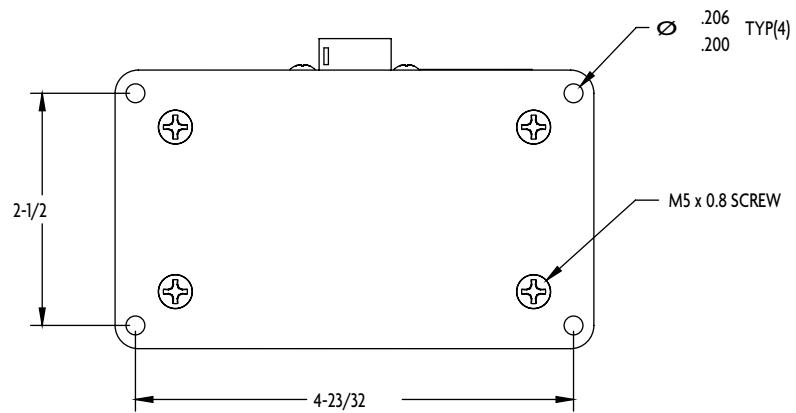


Figure3

Adapter Plate Hole Layout



ELECTRICAL INSTALLATION INSTRUCTIONS

The following is intended to provide the basic instructions for electrical installation of the 6036 CAN Direction Indicator. Refer to Figure 4, Figure 5, and Figure 6 for additional information. Wiring must be in compliance with SAE J1939 for proper operation.

- Step 1** Connect Battery Positive to Pin #1 (use of Akron Brass Harness stub part number 721579 is recommended)
- Step 2** Connect Battery Negative to Pin #2
- Step 3** Connect CAN HI to Pin #3 (Akron Brass Harness stub part number 721579 already has this pin properly connected to a J1939 CAN network stub connector)
- Step 4** Connect CAN LO to Pin #4 (Akron Brass Harness stub part number 721579 already has this pin properly connected to a J1939 CAN network stub connector)
- Step 5** Add a terminating resistor if this device is at the end of the network.

⚠ CAUTION

This product must be wired in adherence with the SAE J1939/11 specification. Failure to do so may result in sporadic operation or non-operation.

⚠ CAUTION

While this device is designed to reside on a standard J1939 CAN network, it is recommended that Akron Brass CAN products operate on their own CAN network isolated from the other CAN networks on the vehicle.

Figure 4

Connector Label



Figure 5

Typical Electrical Connections

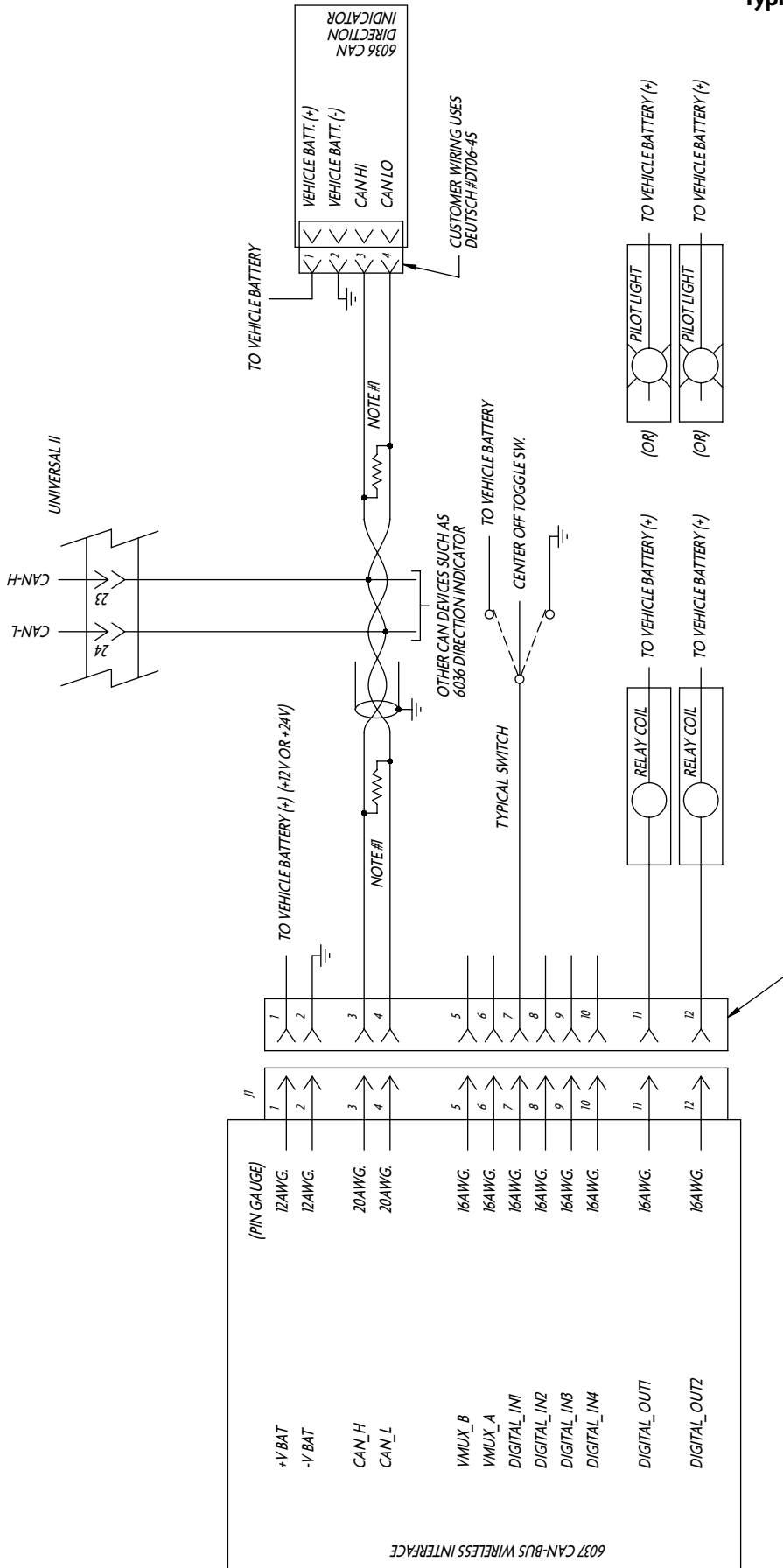
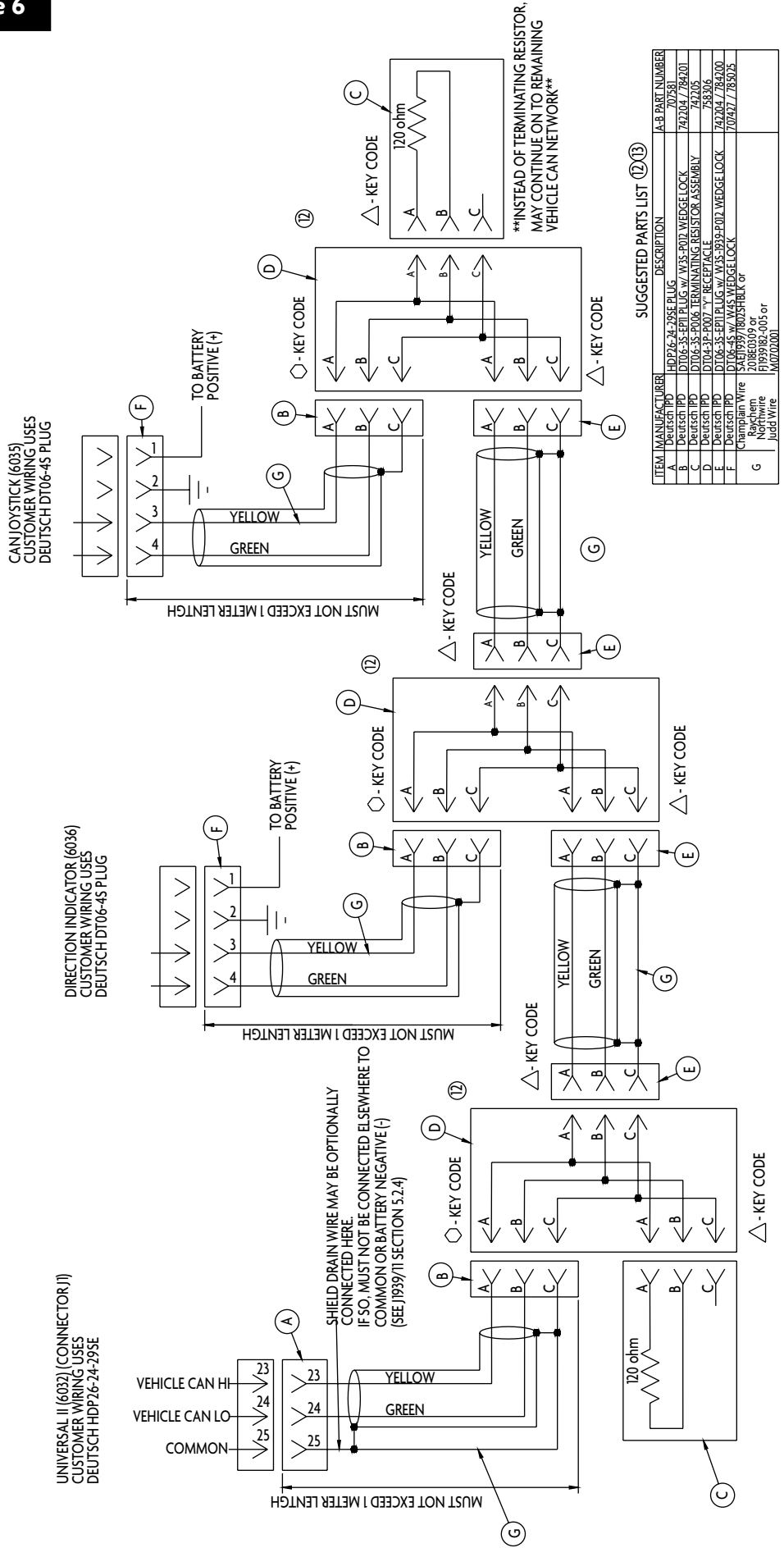


Figure 6



Typical J1939 Wiring

OPERATING INSTRUCTIONS

NORMAL OPERATION

The 6036 CAN Direction Indicator is Plug and Play, and comes ready to use. During power-up, the device runs through a self-test of the LED's. If any of the LED's do not light at some point during this test, contact Akron Brass customer support. If at the end of the test the LED's do not begin showing position but rather begin flashing all red LED's, perform zeroing of the monitor (refer to the Universal II Operating Manual for further instructions). If there is only one Universal II on the network, and the monitor has been zeroed, the Direction Indicator should automatically begin displaying position with no further setup.

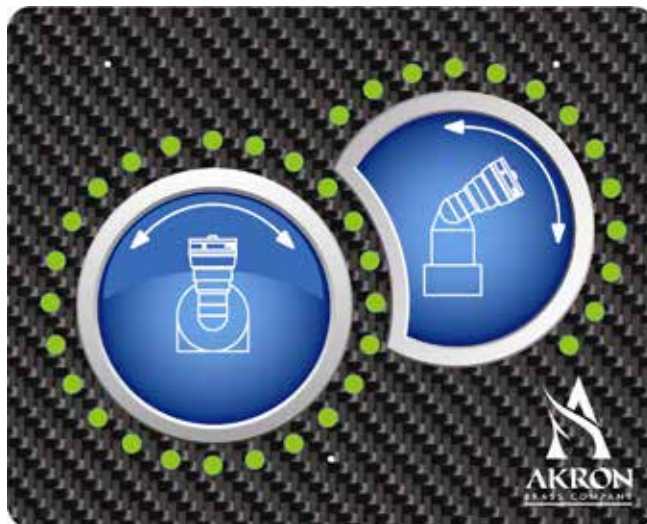
NOTE: The 6036 CAN Direction Indicator is designed to be as benign as possible on a typical J1939 network. It performs standard address claiming. It listens for CAN position messages broadcast by the 6032 Universal II. It is possible to have multiple Universal IIs and Direction Indicators on the same network. Contact Akron Brass customer support if this is a requirement.

NOTE: The 6036 CAN Direction Indicator can be ordered in Portrait or Landscape mode. It is essentially the same device with a different label. There is a setup mode that the 6036 can be put into to change the mode in the field. Normally, this will not be necessary as the device comes from the factory appropriately set.



WARNING For fire fighting use only by trained fire fighters.

Figure 7



Landscape Label

Figure 8



Portrait Label

MAINTENANCE INSTRUCTIONS

The 6036 CAN Direction Indicator has no user serviceable parts inside. If the device fails to operate properly, please contact an Akron Brass customer service representative for a replacement. Periodically examine the LEDs during the power up routine to ensure they are working properly.

REVISION HISTORY

Revision 0 – 7/8/11 Initial release.

Revision 1 – 8/10/11 General formatting and addition of Illustrations.

TROUBLESHOOTING

AKROVIEW SOFTWARE

As with all of the Akron Brass CAN product family, the 6036 CAN Direction Indicator supports the Akroview Software. The software provides additional diagnostics as well as software updating and other capabilities. Contact Akron Brass for additional information on how you can obtain a copy of Akroview software.



PHONE: 330.264.5678 or 800.228.1161 | FAX: 330.264.2944 or 800.531.7335 | akronbrass.com

REVISED: 4/14

WARRANTY AND DISCLAIMER: We warrant Akron Brass products for a period of five (5) years after purchase against defects in materials or workmanship. Akron Brass will repair or replace product which fails to satisfy this warranty. Repair or replacement shall be at the discretion of Akron Brass. Products must be promptly returned to Akron Brass for warranty service.

We will not be responsible for: wear and tear; any improper installation, use, maintenance or storage; negligence of the owner or user; repair or modification after delivery; damage; failure to follow our instructions or recommendations; or anything else beyond our control. WE MAKE NO WARRANTIES, EXPRESS OR IMPLIED, OTHER THAN THOSE INCLUDED IN THIS WARRANTY STATEMENT, AND WE DISCLAIM ANY IMPLIED WARRANTY OF MERCHANTABILITY OR FITNESS FOR ANY PARTICULAR PURPOSE. Further, we will not be responsible for any consequential, incidental or indirect damages (including, but not limited to, any loss of profits) from any cause whatsoever. No person has authority to change this warranty.

© Akron Brass Company, 2014 All rights reserved. No portion of this can be reproduced without the express written consent of Akron Brass Company.