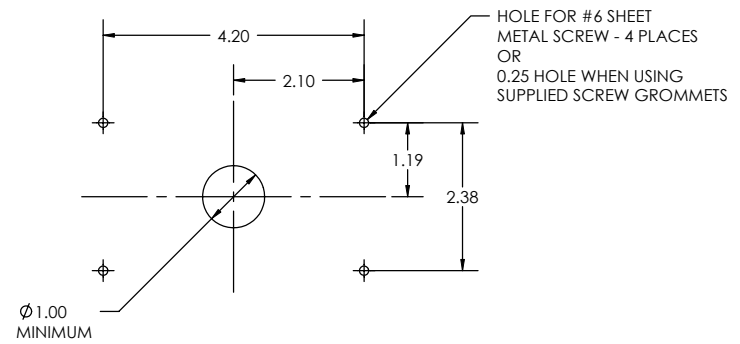
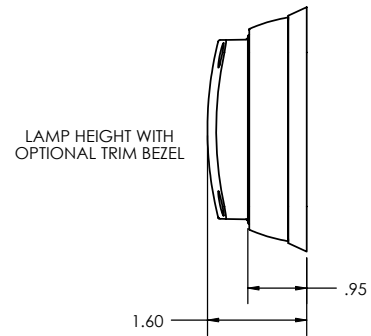
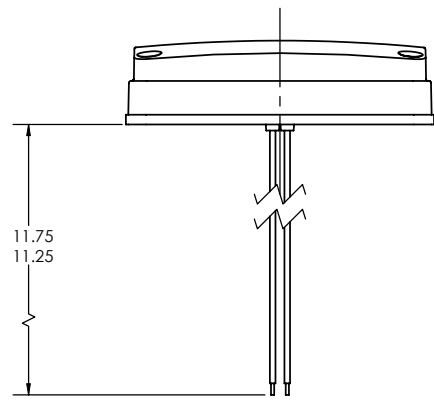
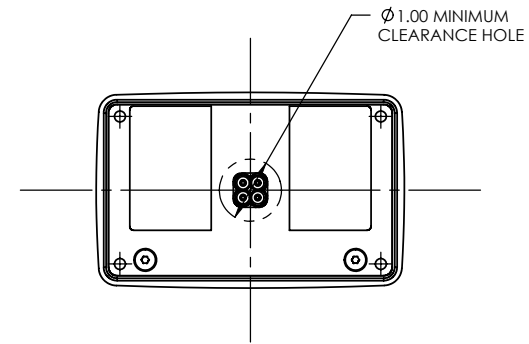
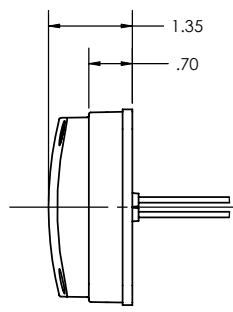
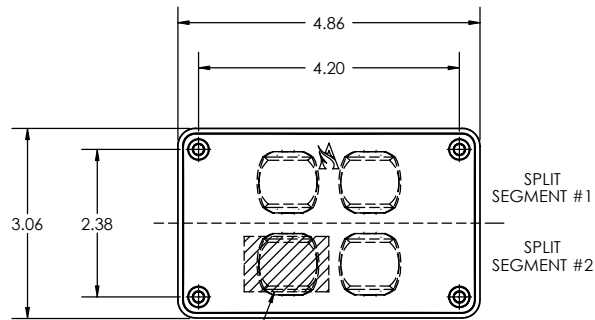


THIS DRAWING AND ALL INFORMATION CONTAINED HEREIN IS THE PROPERTY OF WELDON TECHNOLOGIES, INC. AND MAY NOT BE COPIED, REPRODUCED, OR DIVULGED TO UNAUTHORIZED PERSONS WITHOUT THE EXPRESS WRITTEN CONSENT OF WELDON TECHNOLOGIES, INC. AS IT IS BEING PROVIDED SOLELY FOR THE CONVENIENCE OF THE USER AND SHALL BE RETURNED TO WELDON TECHNOLOGIES, INC. UPON REQUEST.

REVISIONS				
REV.	ECN	DESCRIPTION	DATE	BY / APVD
A	R0772	RELEASE FOR PRODUCTION	--	TB



WIRE COLOR	FUNCTION	POLARITY
RED	POWER	(+)
WHITE	GROUND	(-)
BLUE	SYNC	NONE
GREEN	SECONDARY	(+) OR (-)

NOTE: SECONDARY WIRE POLARITY IS DEPENDENT ON OPTION SELECTED IN LAMP PROGRAM

FOR LAMP CONFIGURATION DETAIL, REFERENCE DOCUMENT #0280-2461-00.

UNLESS OTHERWISE SPECIFIED DIMENSIONS ARE IN INCHES TOLERANCES ARE: X.XXX - ± 0.005 X.XX - ± 0.020 X.X - ± 0.050 ANGLES - $\pm 0.5^\circ$	CAD GENERATED DRAWING. DO NOT MANUALLY UPDATE		WELDON TECHNOLOGIES, INC.		
	APPROVALS	DATE			
MATERIAL	DRAWN: BARNETT	DATE: 1/11/08	DIAMONDBACK 3" X 4" CUSTOMER DRAWING		
FINISH	CHECKED	QUAL ENG			
DO NOT SCALE DRAWING	PROJ. NO. 00164	MFG ENG	SIZE: B	PART NO. CV34	REV. A
SCALE: 1:2		WELDON COMPUTER GRAPHICS SHEET 1 OF 1			