

10/29/12

**PRODUCT NAME: AC SceneStar™ LED Scene Light**
**AKRON PART NUMBER: ELSS-XLAC, ELSS-XLAC-240**

## PRODUCT DESCRIPTION

The AC SceneStar LED High Power Scene Light has been engineered to provide maximum visibility across your emergency scene with exceptional light output. The scene light features the latest in LED technology, vibrant white light, low operating temperatures and engineered optics designed to include spot and flood in one light. Now UL® Listed and CE approved, the SceneStar is a brilliant combination of performance, durability, efficiency and style. DC versions are also available.

## FEATURES

- Available in 120Vac and 240Vac
- UL (120V) and CE (240V) approvals
- 20,000 Lumens from 48 Ultra-Bright LEDs
- Long life LED operation (50,000 + hours)
- Optimized thermal management reduces LED temperatures & maintains consistent light output
- Engineered optical reflector for consistent, overall illumination with integrated spot light
- Rugged design to withstand harsh environments
- Durable aluminum housing with stainless steel hardware and powder coated finish (White Standard, Black Optional)
- Dual ergonomic handles for easy light head positioning
- 6 year warranty

MOUNTING OPTIONS: pole (push-up and pull-up), brow, tripod, portable, manual mast, swivel base, air operated, generator light kit, cord reel light, DIN mount

## LIST PRICE (US Dollars, FOB Wooster, OH USA)

ELSS-XLAC	20000 Lumen 120V Akron LED Head Only	\$1,591
ELSS-XLAC-240	20000 Lumen 240V Akron LED Head Only	\$1,591
ELSS-XLAC-DH	20000 Lumen 120V Akron LED Dual Head	\$3,234
ELSS-XLAC-DH-240	20000 Lumen 240V Akron LED Dual Head	\$3,234
ELSS-XLAC-PL	20000 Lumen 120V Akron LED Portable	\$1,692
ELSS-XLAC-PL-240	20000 Lumen 240V Akron LED Portable	\$1,692
ELSS-XLAC-BL	20000 Lumen 120V Akron LED Brow Mount	\$1,720
ELSS-XLAC-BL-240	20000 Lumen 240V Akron LED Brow Mount	\$1,720
ELSS-XLAC-PS	20000 Lumen 120V Akron LED Side Mount Push-up	\$1,841
ELSS-XLAC-PS-240	20000 Lumen 240V Akron LED Side Mount Push-up	\$1,841
ELSS-XLAC-PU	20000 Lumen 120V Akron LED Side Mount Pull-up	\$1,841

## LIST PRICE (US Dollars, FOB Wooster, OH USA)

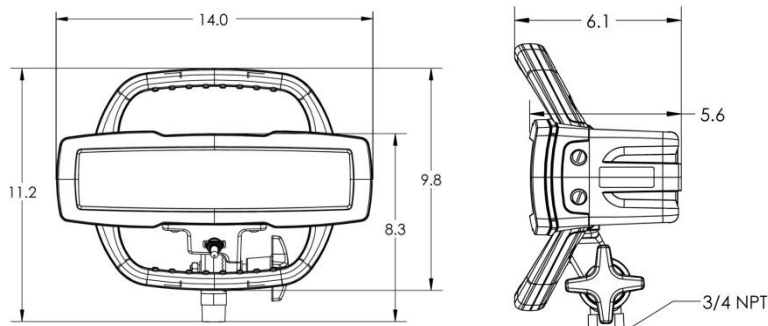
ELSS-XLAC-PU-240	20000 Lumen 240V Akron LED Side Mount Pull-up	\$1,841
ELSS-XLAC-MMST	20000 Lumen 120V Akron LED Manual Mast	\$2,080
ELSS-XLAC-MMST-240	20,000 Lumen 240V Akron LED Manual Mast	\$2,080
ELSS-XLAC-SB	20,000 Lumen 120V Akron LED Swivel Base	\$1,736
ELSS-XLAC-SB-240	20,000 Lumen 240V Akron LED Swivel Base	\$1,736
ELSS-XLAC-POD	20,000 Lumen 120V Akron LED POD	\$2,134
ELSS-XLAC-POD-240	20,000 Lumen 240V Akron LED POD	\$2,134
ELSS-XLAC-POD-PL	20,000 Lumen 120V Akron LED POD on Tripod	\$2,342
ELSS-XLAC-POD-PL-240	20,000 Lumen 240V Akron LED POD on Tripod	\$2,342
ELSS-XLAC-AO	20,000 Lumen 120V Akron LED Air Operated	\$2,443
ELSS-XLAC-AO-240	20,000 Lumen 240V Akron LED AIR Operated	\$2,443
ELSS-XLAC-HK-Lki	20,000 Lumen 120V Akron LED GEN kit 1000W HONDA Gen w/o Generator	\$1,816
ELSS-XLAC-HK2-Lki	20,000 Lumen 120V Akron LED GEN kit 2000W HONDA Gen w/o Generator	\$1,843
ELSS-XLAC-HG	20,000 Lumen 120V Akron LED 1000W HONDA Gen kit with Generator	\$3,447
ELSS-XLAC-HG2	20,000 Lumen 120V Akron LED 2000W HONDA Gen kit with Generator	\$4,047
ECRP-10-ELSS-XLAC	20,000 Lumen 120V Akron LED on 10" Cord reel with Gang Box*	\$1,900
ECRP-10-ELSS-XLAC-240	20,000 Lumen 240V Akron LED on 10" Cord reel with Gang Box*	\$1,900
ELSS-XLAC-240-DIN	20,000 Lumen 240V Akron LED DIN Mount**	\$1,756
ELSS-XLAC-PM	20,000 Lumen 120V Akron LED Pedestal Mount	\$1,736
ELSS-XLAC-PM-240	20,000 Lumen 240V Akron LED Pedestal Mount	\$1,736


\*Price does not include cord, plug or receptacle. Also available with 15" and 18" Cord reels. Pricing varies with reel size.

\*\*Price includes DIN mount, 1m of cable and plug.

## AVAILABILITY

Currently Available



Light Head Description	Light Head	Bulb Type	Wattage	Voltage	Amps	Lumens / Candle Power	Certifications	Light Head Dimensions
	ELSS-SLDC	LED	150	10-32 V DC	12 (12 V DC) 6 (24 V DC)	14,000	CE	14" W x 4 1/4" H x 5.6" D (356 x 108 x 142 mm)
	ELSS-XLDC	LED	220	10-32 V DC	18 (12 V DC) 9 (24 V DC)	19,000		
	ELSS-XLAC	LED	220	120 AC/240 AC	1.8/9	20,000	UL, CE	

## SPECIFICATION – 120VAC

### **STYLE ELSS-XLAC-HD 120Vac SCENESTAR LED LIGHT HEAD**

An Akron Brass SceneStar, item ELSS-XLAC-HD shall be provided. A 220 watt light head shall be provided with the front bezel painted white. The light head shall contain 48 high power LEDs and a highly polished reflector that directs light into both a flood and spot pattern. The light head shall operate between 90Vac and 135Vac and regulate LED temperature to maximize LED life. The light head shall tilt up and down with two heavy duty handles and shall be provided with a swivel only with a ¾" NPT thread on the bottom of the swivel to be connected to an appropriate mounting structure. An on/off switch with weather-proof boot shall be provided on the swivel assembly. The SceneStar LED head shall have a 6 year warranty and shall be UL listed.

### **STYLE ELSS-XLAC- DH 120Vac SCENESTAR DUAL HEAD**

An Akron Brass, Extenda-Lite, item ELSS-XLAC-DH-POD dual flood light heads mounted on a two inch (2") square, heavy duty, aluminum cross bar that is attached to the top of a Pull-Up style telescoping pole shall be provided. All mounting brackets and pole fittings shall be heavy duty, cast aluminum and powder painted white to match the light heads. Each telescoping pole shall be equipped with dual 220 watt white AC SceneStar heads. The dual head shall operate between 90Vac and 135Vac have a total output of 40,000 lumens. Lights shall be UL listed. The light heads shall tilt up and down with a heavy duty handle and shall be mounted on to the top of the two inch (2") square cross bar with a ¾" housing arm assembly. Each light head shall also be equipped with a chrome plated wire guard. All tripod poles and legs shall be made only from drawn aluminum tubes. Each pole shall be deep etched and clear anodized to ensure a corrosion free appearance and lasting durability. Overall stowed or mounted height shall not exceed six (6) foot. Total extended tripod height shall be eleven (11) feet or more from the ground to the top of the light head. Each tripod shall be equipped with a twelve-inch pigtail and a plug. The apparatus manufacturer shall provide wiring for each of the installed lights and it shall be capable of carrying the maximum load required by that light and protected by a properly sized circuit breaker. The Extenda-Lite shall have a 5 year warranty. The SceneStar LED head shall have a 6 year warranty and shall be UL listed.

### **STYLE ELSS-XLAC- PL 120Vac SCENESTAR EXTENDA-LITE PORTABLE**

An Akron Brass, Extenda-Lite Portable, item ELSS-XLAC-W-PL shall be provided. Each Portable shall be equipped with a 220 watt light head with the front bezel painted white. The light head shall contain 48 high power LEDs and a highly polished reflector. The light head shall operate between 90Vac and 135Vac and regulate LED temperature to maximize LED life. The light head shall tilt up and down with two heavy duty handles and shall be mounted on to the top of the portable base with a swivel assembly. An on/off switch with weather-proof boot shall be provided on the swivel assembly. The light head shall be mounted on a heavy duty, cast aluminum ground tripod base with rubber feet. Portable base shall be powder painted white to match the light head. There shall be a precast tapered boss on the bottom of the light base so that it can be mounted in any position when using manufacturer's spring pin mounting bracket. Each hand portable light shall be equipped with a twelve-inch pigtail and a plug. The Hand Portable shall have a 5 year warranty. The SceneStar LED head shall have a 6 year warranty and shall be UL listed.

### **STYLE ELSS-XLAC- BL 120Vac SCENESTAR EXTENDA-LITE ROOF MOUNTED BROW**

An Akron Brass, Extenda-Lite roof mounted brow, item ELSS-XLAC-W-BL shall be provided. Each Brow shall be equipped with a 220 watt light head with the front bezel painted white. The light head shall contain 48 high power LEDs and a highly polished reflector. The light head shall operate between 90Vac and 135Vac and regulate LED temperature to maximize LED life. There shall be angle tilt-mounting brackets attached to the side of the light housing. The cast aluminum housing shall not exceed 190° F. Each brow light shall be equipped with a twelve-inch pigtail. The Extenda-Lite Brow Mount components shall have a 5 year warranty. The SceneStar LED head shall have a 6 year warranty and shall be UL listed.

---

**SPECIFICATION – 120VAC**

---

**STYLE ELSS-XLAC- PS 120Vac SCENESTAR EXTENDA-LITE PUSH-UP LIGHT**

An Akron Brass, Extenda-Lite, item ELSS-XLAC-W-PS with a Push-Up style telescoping pole equipped with side mounting brackets shall be provided. All mounting brackets and pole fittings shall be heavy duty, cast aluminum and powder painted white to match the light head. Each telescoping pole shall be equipped with a 220 watt light head with the front bezel painted white. The light head shall contain 48 high power LEDs and a highly polished reflector. The light head shall operate between 90Vac and 135Vac and regulate LED temperature to maximize LED life. The light head shall tilt up and down with two heavy duty handles and shall be mounted on to the top of the pole with a swivel assembly. An on/off switch with weather-proof boot shall be provided on the swivel assembly. The inside pole shall be sixty inches (60") long and the outside pole shall be eleven and one half inches (11-1/2") in length as standard or lengths can be adjusted by the manufacturer as required to fit a specified mounting location. All inside and outside poles shall be made only from drawn aluminum tubes. Each pole shall be deep etched, wire brushed and clear anodized to ensure a corrosion free appearance and lasting durability. The Push-Up telescoping pole shall rotate 360 degrees left or right. The apparatus manufacturer shall provide wiring for each of the installed lights and it shall be capable of carrying the maximum load required by that light and protected by a properly sized circuit breaker. The Extenda-Lite Pole shall have a 5 year warranty. The SceneStar LED head shall have a 6 year warranty and shall be UL listed.

**STYLE ELSS-XLAC- PU 120Vac SCENESTAR EXTENDA-LITE PULL-UP LIGHT**

An Akron Brass, Extenda-Lite Pull-Up Light, item ELSS-XLAC-W-PU with a Pull-Up style telescoping pole equipped with side mounting brackets shall be provided. All mounting brackets and pole fittings shall be heavy duty, cast aluminum and powder painted white to match the light head. Each telescoping pole shall be equipped with a 220 watt light head with the front bezel painted white. The light head shall contain 48 high power LEDs and a highly polished reflector. The light head shall operate between 90Vac and 135Vac and regulate LED temperature to maximize LED life. The light head shall tilt up and down with two heavy duty handles and shall be mounted on to the top of the pole with a swivel assembly. An on/off switch with weather-proof boot shall be provided on the swivel assembly. The outside pole shall be fifty eight inches (58") long and the inside pole shall be forty eight inches (48") in length as standard or lengths can be adjusted by the manufacturer as required to fit a specified mounting location. All inside and outside poles shall be made only from drawn aluminum tubes. Each pole shall be deep etched, wire brushed and clear anodized to ensure a corrosion free appearance and lasting durability. The Pull-Up telescoping pole shall rotate 360 degrees left or right. The apparatus manufacturer shall provide wiring for the installed light and it shall be capable of carrying the maximum load required by that light and protected by a properly sized circuit breaker. The Extenda-Lite Pole shall have a 5 year warranty. The SceneStar LED head shall have a 6 year warranty and shall be UL listed.

**STYLE ELSS-XLAC-MMST 120Vac SCENESTAR EXTENDA-LITE MANUAL MAST**

An Akron Brass, Extenda-Lite Manual Mast, item ELSS-XLAC-MMST shall be provided. It will have components supplied and manufactured by an ISO 9001 certified company. The Manual mast is a collapsible pole assembly. The manual mast has a stowed height of 5.5' with a foot print of 7.5" by 42". The mast can be permanently mounted on a flat surface with various pole lengths available. Standard with up indicator, locking brackets and no-mark stops. Each Swivel Base shall be equipped with a 220 watt light head with the front bezel painted white. The light head shall contain 48 high power LEDs and a highly polished reflector. The light head shall operate between 90Vac and 135Vac and regulate LED temperature to maximize LED life. The light head shall tilt up and down with two heavy duty handles and shall be mounted on to the top of the swivel base with a swivel assembly. An on/off switch with weather-proof boot shall be provided on the swivel assembly. The light head shall swivel right or left. The apparatus manufacturer shall provide wiring for each of the installed lights and it shall be capable of carrying the maximum load required by that light and protected by a properly sized circuit breaker. The Manual Mast assembly shall have a 5 year warranty. The SceneStar LED head shall have a 6 year warranty and shall be UL listed.

---

**SPECIFICATION – 120VAC**

---

**STYLE ELSS-XLAC- SB 120Vac SCENESTAR EXTENDA-LITE SWIVEL BASE**

An Akron Brass, Swivel Base type ELSS-XLAC-W-SB flood light(s) that are non-telescopic and side mounting brackets shall be provided. All swivel base mounting brackets shall be heavy duty, cast aluminum and powder painted white to match the light head. Each Swivel Base shall be equipped with a 220 watt light head with the front bezel painted white. The light head shall contain 48 high power LEDs and a highly polished reflector. The light head shall operate between 90Vac and 135Vac and regulate LED temperature to maximize LED life. The light head shall tilt up and down with two heavy duty handles and shall be mounted on to the top of the swivel base with a swivel assembly. An on/off switch with weather-proof boot shall be provided on the swivel assembly. The light head shall swivel right or left 350 degrees from stop to stop so that wiring cannot become twisted. The apparatus manufacturer shall provide wiring for each of the installed lights and it shall be capable of carrying the maximum load required by that light and protected by a properly sized circuit breaker. The Swivel Base shall have a 5 year warranty. The SceneStar LED head shall have a 6 year warranty and shall be UL listed.

**STYLE ELSS-XLAC- POD 120Vac SCENESTAR EXTENDA-POD**

An Akron Brass, Extenda-Lite, item ELSS-XLAC-POD, Extenda-Pod shall be provided. The Extenda-Pod shall be mounted per the customer's request and be used as a Pull-Up telescoping Extenda-Lite or removed from the apparatus and used as a portable lighting tower. All mounting brackets and pole fittings shall be heavy duty, cast aluminum and powder painted white to match the light head. Each tripod shall be equipped with a 220 watt light head with the front bezel painted white. The light head shall contain 48 high power LEDs and a highly polished reflector. The light head shall operate between 90Vac and 135Vac and regulate LED temperature to maximize LED life. The light head shall tilt up and down with two heavy duty handles and shall be mounted on to the top of the tripod with a swivel assembly. An on/off switch with weather-proof boot shall be provided on the swivel assembly. All tripod poles and legs shall be made only from drawn aluminum tubes. Each pole shall be deep etched and clear anodized to ensure a corrosion free appearance and lasting durability. The Pull-Up telescoping pole shall rotate 360 degrees left or right and the light head shall tilt up and down. Overall stowed or mounted height shall not exceed six (6) foot. Total extended tripod height shall be eleven (11) feet or more from the ground to the top of the light head. Each tripod shall be equipped with a twelve-inch pigtail and a plug to match the existing receptacles used by the department. The apparatus manufacturer shall provide wiring for each of the installed lights and it shall be capable of carrying the maximum load required by that light and protected by a properly sized circuit breaker. The Extenda-Pod shall have a 5 year warranty. The SceneStar LED head shall have a 6 year warranty and shall be UL listed.

**STYLE ELSS-XLAC- POD-PL 120 Vac SCENESTAR PORTABLE ON TRIPOD**

An Akron Brass, Extenda-Pod SceneStar type item ELSS-XLAC-W-POD-PL flood light that is a combination of an Extenda-Pod Pull-Up style telescoping tripod mounted per the customer's request and a ELSS-XLAC-PL hand portable flood light mounted on top of the Pull-Up pole with Extenda-Lite's exclusive spring loaded disconnect shall be provided. The light head shall be mounted on a heavy duty, cast aluminum ground tripod base with rubber feet. The ELSS-XLAC-PL shall be easy to unplug and remove from the Pull-Up pole when a portable flood light is required. All mounting brackets and pole fittings including the tripod base shall be heavy duty, cast aluminum and powder painted white to match the light head. Each ELSS-XLAC-PL portable hand light shall be equipped with a 220 watt white SceneStar LED light head. The lamp shall operate between 90Vac and 135Vac have an output of 20,000 lumens. The light head shall contain 48 high power LEDs and a highly polished reflector. All threaded holes in the light head shall use stainless steel thread inserts and stainless steel hardware. The light head shall tilt up and down. Each light head shall also be equipped with a heavy duty carrying handle. Lights shall be UL listed. All tripod poles and legs shall be made only from drawn aluminum tubes. Each pole shall be deep etched and clear anodized to ensure a corrosion free appearance and lasting durability. Overall stowed or mounted height shall not exceed six (6) foot. Total extended tripod height shall be eleven (11) feet or more from the ground to the top of the light head. Each tripod shall be equipped with a twelve inch pigtail and a plug. The apparatus manufacturer shall provide wiring for each of the installed lights and it shall be capable of carrying the maximum load required by that light and protected by a properly sized circuit breaker. The Portable Extenda-Pod shall have a 5 year warranty. The SceneStar LED head shall have a 6 year warranty and shall be UL listed.

## SPECIFICATION – 120VAC

### **STYLE ELSS-XLAC- AO 120Vac SCENESTAR EXTENDA-LITE AIR OPERATED**

An Akron Brass, Extenda-Lite Air Operated item ELSS-XLAC-W-AO flood light with a pneumatically raised style telescoping pole and top mounting brackets shall be provided. All mounting brackets and pole fittings shall be heavy duty, cast aluminum and powder painted white to match the light head. Each telescoping pole shall be equipped with a 220 watt light head with the front bezel painted white. The light head shall contain 48 high power LEDs and a highly polished reflector. The light head shall operate between 90Vac and 135Vac and regulate LED temperature to maximize LED life. The light head shall tilt up and down with two heavy duty handles and shall be mounted on to the top of the pole with a swivel assembly. An on/off switch with weather-proof boot shall be provided on the swivel assembly. The inside pole with the light head attached shall rise up and down pneumatically. All controls and actuators shall be installed in a compact 6" x 6" x 8" box with the 12 volt control switch to be supplied by the customer. The outside pole shall be fifty eight inches (58") long and the inside pole shall be forty two inches (42") in length as standard or lengths can be adjusted by the manufacturer as required to fit a specified mounting location. All outside poles shall be made only from drawn aluminum tubes. Each pole shall be deep etched, wire brushed and clear anodized to ensure a corrosion free appearance and lasting durability. All inside poles shall be anodized black hard coat to ensure a corrosion free appearance and lasting durability. The outside pole shall rotate 360 degrees left or right and have a knob to hold it in place. The apparatus manufacturer shall provide wiring for each of the installed lights and it shall be capable of carrying the maximum load required by that light and protected by a properly sized circuit breaker. The Air Operated telescoping pole shall have a 5 year warranty. The SceneStar LED head shall have a 6 year warranty and shall be UL listed.

### **STYLE ELSS-XLAC-HK-Lki 120 Vac SCENESTAR GENERATOR LIGHT KIT FOR 1000W GENERATOR**

An Akron Brass, Extenda-Lite, item ELSS-XLAC-HK-Lki Portable Generator Light shall be provided. Each Portable Generator Light kit shall be equipped with a 220 watt SceneStar LED light head. The lamp shall operate between 90Vac and 135Vac and have an output of 20,000 lumens. The light head shall contain 48 high power LEDs and a highly polished reflector. All threaded holes in the light head shall use stainless steel thread inserts and stainless steel hardware. The light head shall tilt up and down with a heavy-duty handle and shall include a generator mounting bracket with a ¾" housing arm assembly. The light head and brackets shall be heavy duty, powder coated, cast aluminum. Each portable generator light kit shall be equipped with a pigtail and a 5-15 household plug. The light kit brackets shall have a 5 year warranty, the SceneStar LED head shall have a 6 year warranty and shall be UL listed.

### **STYLE ELSS-XLAC-Hk2-Lki 120 Vac SCENESTAR GENERATOR LIGHT KIT FOR 2000W GENERATOR**

An Akron Brass, Extenda-Lite, item ELSS-XLAC-HG2 Portable Generator Light shall be provided. Each Portable Generator Light kit shall be equipped with a 220 watt SceneStar LED light head. The lamp shall operate between 90Vac and 135Vac and have an output of 20,000 lumens. The light head shall contain 48 high power LEDs and a highly polished reflector. All threaded holes in the light head shall use stainless steel thread inserts and stainless steel hardware. The light head shall tilt up and down with a heavy-duty handle and shall include a generator mounting bracket with a ¾" housing arm assembly. The light head and brackets shall be heavy duty, powder coated, cast aluminum. Each portable generator light kit shall be equipped with a pigtail and a 5-15 household plug. The light kit brackets shall have a 5 year warranty, the SceneStar LED head shall have a 6 year warranty and shall be UL listed.

---

## **SPECIFICATION – 120VAC**

---

### **STYLE ELSS-XLAC-HG2 120 Vac SCENESTAR 2000W GENERATOR LIGHT KIT WITH GENERATOR**

An Akron Brass, Extenda-Lite, item ELSS-XLAC-HG2 Portable Generator Light shall be provided. Each Portable Generator Light shall be equipped with a 220 watt SceneStar LED light head. The lamp shall operate between 90Vac and 135Vac and have an output of 20,000 lumens. The light head shall contain 48 high power LEDs and a highly polished reflector. All threaded holes in the light head shall use stainless steel thread inserts and stainless steel hardware. The light head shall tilt up and down with a heavy-duty handle and shall be mounted on to the generator mounting bracket with a ¾" housing arm assembly. The light head and brackets shall be heavy duty, powder coated, cast aluminum and be mounted with the Honda EU2000i generator. Each portable generator light shall be equipped with a pigtail and a 5-15 household plug. The light kit shall have a 5 year warranty covered by Akron Brass, the generator shall have a one-year warranty covered by Honda and the SceneStar LED head shall have a 6 year warranty covered by Akron Brass and shall be UL listed.

### **STYLE ECRP-10-ELSS-XLAC 10" CORD REEL LIGHT WITH 120Vac SCENESTAR**

An Akron Brass, Cord Reel Light item ECR-10-4500 10" live cord reel with a 240 Watt Extenda-Lite AC SceneStar and gang box shall be provided. The cord reel light shall be of heavy duty construction, powder coated, and have a 30amp rated live slip ring design. The cord reel shall have options for various specified cord lengths and NEMA Connectors. The cord reel shall have a 5 year warranty. The SceneStar LED head shall carry a 6 year warranty.

### **STYLE ELSS-XLAC-PM 120Vac SCENESTAR EXTENDA-LITE PEDESTAL MOUNT**

An Akron Brass, Pedestal Mount type ELSS-XLAC-W-PM flood light(s) that are non-telescopic and side mounting brackets shall be provided. All Pedestal Mount mounting brackets shall be heavy duty, cast aluminum and powder painted white to match the light head. Each Pedestal Mount shall be equipped with a 220 watt light head with the front bezel painted white. The light head shall contain 48 high power LEDs and a highly polished reflector. The light head shall operate between 90Vac and 135Vac and regulate LED temperature to maximize LED life. The light head shall tilt up and down with two heavy duty handles and shall be mounted on to the top of the fixed Pedestal Mount. An on/off switch with weather-proof boot shall be provided on the swivel assembly. The light head shall not swivel right and left and be fixed as mounted. The apparatus manufacturer shall provide wiring for each of the installed lights and it shall be capable of carrying the maximum load required by that light and protected by a properly sized circuit breaker. The Pedestal Mount shall have a 5 year warranty. The SceneStar LED head shall have a 6 year warranty and shall be UL listed.

## **SPECIFICATION – 240VAC**

### **STYLE ELSS-XLAC-HD-240 240Vac SCENESTAR LED LIGHT HEAD**

An Akron Brass SceneStar, item ELSS-XLAC-HD shall be provided. A 220 watt light head shall be provided with the front bezel painted white. The light head shall contain 48 high power LEDs and a highly polished reflector directs light into both a flood and spot pattern. The light head shall operate between 180Vac and 265Vac and regulate LED temperature to maximize LED life. The light head shall tilt up and down with two heavy duty handles and shall be provided with a swivel only with a ¾" NPT thread on the bottom of the swivel to be connected to an appropriate mounting structure. An on/off switch with weather-proof boot shall be provided on the swivel assembly. The SceneStar LED head shall have a 6 year warranty and shall be CE Marked.

### **STYLE ELSS-XLAC-DH 240Vac SCENESTAR DUAL HEAD**

An Akron Brass, Extenda-Lite, item ELSS-XLAC-DH-POD dual flood light heads mounted on a two inch (2") square, heavy duty, aluminum cross bar that is attached to the top of a Pull-Up style telescoping pole shall be provided. All mounting brackets and pole fittings shall be heavy duty, cast aluminum and powder painted white to match the light heads. Each telescoping pole shall be equipped with dual 220 watt white AC SceneStar heads. The dual head shall operate between 180Vac and 265Vac have a total output of 40,000 lumens. Lights shall be UL listed. The light heads shall tilt up and down with a heavy duty handle and shall be mounted on to the top of the two inch (2") square cross bar with a ¾" housing arm assembly. Each light head shall also be equipped with a chrome plated wire guard. All tripod poles and legs shall be made only from drawn aluminum tubes. Each pole shall be deep etched and clear anodized to ensure a corrosion free appearance and lasting durability. Overall stowed or mounted height shall not exceed six (6) foot. Total extended tripod height shall be eleven (11) feet or more from the ground to the top of the light head. Each tripod shall be equipped with a twelve-inch pigtail and a plug. The apparatus manufacturer shall provide wiring for each of the installed lights and it shall be capable of carrying the maximum load required by that light and protected by a properly sized circuit breaker. The Extenda-Lite shall have a 5 year warranty. The SceneStar LED head shall have a 6 year warranty.

### **STYLE ELSS-XLAC-PL 240Vac SCENESTAR EXTENDA-LITE PORTABLE**

An Akron Brass, Extenda-Lite Portable, item ELSS-XLAC-W-PL shall be provided. Each Portable shall be equipped with a 220 watt light head with the front bezel painted white. The light head shall contain 48 high power LEDs and a highly polished reflector. The light head shall operate between 180Vac and 265Vac and regulate LED temperature to maximize LED life. The light head shall tilt up and down with two heavy duty handles and shall be mounted on to the top of the portable base with a swivel assembly. An on/off switch with weather-proof boot shall be provided on the swivel assembly. The light head shall be mounted on a heavy duty, cast aluminum ground tripod base with rubber feet. Portable base shall be powder painted white to match the light head. There shall be a precast tapered boss on the bottom of the light base so that it can be mounted in any position when using manufacturer's spring pin mounting bracket. Each hand portable light shall be equipped with a twelve-inch pigtail and a plug. The Hand Portable shall have a 5 year warranty. The SceneStar LED head shall have a 6 year warranty and shall carry a CE mark.

### **STYLE ELSS-XLAC- BL 240Vac SCENESTAR EXTENDA-LITE ROOF MOUNTED BROW**

An Akron Brass, Extenda-Lite roof mounted brow, item ELSS-XLAC-W-BL shall be provided. Each Brow shall be equipped with a 220 watt light head with the front bezel painted white. The light head shall contain 48 high power LEDs and a highly polished reflector. The light head shall operate between 180Vac and 265Vac and regulate LED temperature to maximize LED life. There shall be angle tilt-mounting brackets attached to the side of the light housing. The cast aluminum housing shall not exceed 190° F. Each brow light shall be equipped with a twelve-inch pigtail. The Extenda-Lite Brow Mount components shall have a 5 year warranty. The SceneStar LED head shall have a 6 year warranty and carry a CE mark.



## SPECIFICATION – 240VAC

### **STYLE ELSS-XLAC-W-PS 240Vac SCENESTAR EXTENDA-LITE PUSH-UP LIGHT**

An Akron Brass, Extenda-Lite, item ELSS-XLAC-W-PS with a Push-Up style telescoping pole equipped with side mounting brackets shall be provided. All mounting brackets and pole fittings shall be heavy duty, cast aluminum and powder painted white to match the light head. Each telescoping pole shall be equipped with a 220 watt light head with the front bezel painted white. The light head shall contain 48 high power LEDs and a highly polished reflector. The light head shall operate between 180Vac and 265Vac and regulate LED temperature to maximize LED life. The light head shall tilt up and down with two heavy duty handles and shall be mounted on to the top of the pole with a swivel assembly. An on/off switch with weather-proof boot shall be provided on the swivel assembly. The inside pole shall be sixty inches (60") long and the outside pole shall be eleven and one half inches (11-1/2") in length as standard or lengths can be adjusted by the manufacturer as required to fit a specified mounting location. All inside and outside poles shall be made only from drawn aluminum tubes. Each pole shall be deep etched, wire brushed and clear anodized to ensure a corrosion free appearance and lasting durability. The Push-Up telescoping pole shall rotate 360 degrees left or right. The apparatus manufacturer shall provide wiring for each of the installed lights and it shall be capable of carrying the maximum load required by that light and protected by a properly sized circuit breaker. The Extenda-Lite Pole shall have a 5 year warranty. The SceneStar LED head shall have a 6 year warranty and shall carry a CE mark.

### **STYLE ELSS-XLAC- PU 240Vac SCENESTAR EXTENDA-LITE PULL-UP LIGHT**

An Akron Brass, Extenda-Lite Pull-Up Light, item ELSS-XLAC-W-PU with a Pull-Up style telescoping pole equipped with side mounting brackets shall be provided. All mounting brackets and pole fittings shall be heavy duty, cast aluminum and powder painted white to match the light head. Each telescoping pole shall be equipped with a 220 watt light head with the front bezel painted white. The light head shall contain 48 high power LEDs and a highly polished reflector. The light head shall operate between 180Vac and 265Vac and regulate LED temperature to maximize LED life. The light head shall tilt up and down with two heavy duty handles and shall be mounted on to the top of the pole with a swivel assembly. An on/off switch with weather-proof boot shall be provided on the swivel assembly. The outside pole shall be fifty eight inches (58") long and the inside pole shall be forty eight inches (48") in length as standard or lengths can be adjusted by the manufacturer as required to fit a specified mounting location. All inside and outside poles shall be made only from drawn aluminum tubes. Each pole shall be deep etched, wire brushed and clear anodized to ensure a corrosion free appearance and lasting durability. The Pull-Up telescoping pole shall rotate 360 degrees left or right. The apparatus manufacturer shall provide wiring for the installed light and it shall be capable of carrying the maximum load required by that light and protected by a properly sized circuit breaker. The Extenda-Lite Pole shall have a 5 year warranty. The SceneStar LED head shall have a 6 year warranty and shall be carry a CE mark.

### **STYLE ELSS-XLAC-MMST-240 240Vac SCENESTAR EXTENDA-LITE MANUAL MAST**

An Akron Brass, Extenda-Lite Manual Mast, item ELSS-XLAC-MMST shall be provided. It will have components supplied and manufactured by an ISO 9001 certified company. The Manual mast is a collapsible pole assembly. The manual mast has a stowed height of 5.5' with a foot print of 7.5" by 42". The mast can be permanently mounted on a flat surface with various pole lengths available. Standard with up indicator, locking brackets and no-mark stops. Each Swivel Base shall be equipped with a 220 watt light head with the front bezel painted white. The light head shall contain 48 high power LEDs and a highly polished reflector. The light head shall operate between 180Vac and 265Vac and regulate LED temperature to maximize LED life. The light head shall tilt up and down with two heavy duty handles and shall be mounted on to the top of the swivel base with a swivel assembly. An on/off switch with weather-proof boot shall be provided on the swivel assembly. The light head shall swivel right or left. The apparatus manufacturer shall provide wiring for each of the installed lights and it shall be capable of carrying the maximum load required by that light and protected by a properly sized circuit breaker. The Manual Mast assembly shall have a 5 year warranty. The SceneStar LED head shall have a 6 year warranty and shall be UL listed.

---

**SPECIFICATION – 240VAC**

---

**STYLE ELSS-XLAC- SB 240Vac SCENESTAR EXTENDA-LITE SWIVEL BASE**

An Akron Brass, Swivel Base type ELSS-XLAC-W-SB flood light(s) that are non-telescopic and side mounting brackets shall be provided. All swivel base mounting brackets shall be heavy duty, cast aluminum and powder painted white to match the light head. Each Swivel Base shall be equipped with a 220 watt light head with the front bezel painted white. The light head shall contain 48 high power LEDs and a highly polished reflector. The light head shall operate between 180Vac and 265Vac and regulate LED temperature to maximize LED life. The light head shall tilt up and down with two heavy duty handles and shall be mounted on to the top of the swivel base with a swivel assembly. An on/off switch with weather-proof boot shall be provided on the swivel assembly. The light head shall swivel right or left 350 degrees from stop to stop so that wiring cannot become twisted. The apparatus manufacturer shall provide wiring for each of the installed lights and it shall be capable of carrying the maximum load required by that light and protected by a properly sized circuit breaker. The Swivel Base shall have a 5 year warranty. The SceneStar LED head shall have a 6 year warranty and carry a CE mark.

**STYLE ELSS-XLAC-POD 240Vac SCENESTAR EXTENDA-POD**

An Akron Brass, Extenda-Lite, item ELSS-XLAC-POD, Extenda-Pod shall be provided. The Extenda-Pod shall be mounted per the customer's request and be used as a Pull-Up telescoping Extenda-Lite or removed from the apparatus and used as a portable lighting tower. All mounting brackets and pole fittings shall be heavy duty, cast aluminum and powder painted white to match the light head. Each tripod shall be equipped with a 220 watt light head with the front bezel painted white. The light head shall contain 48 high power LEDs and a highly polished reflector. The light head shall operate between 180Vac and 265Vac and regulate LED temperature to maximize LED life. The light head shall tilt up and down with two heavy duty handles and shall be mounted on to the top of the tripod with a swivel assembly. An on/off switch with weather-proof boot shall be provided on the swivel assembly. All tripod poles and legs shall be made only from drawn aluminum tubes. Each pole shall be deep etched and clear anodized to ensure a corrosion free appearance and lasting durability. The Pull-Up telescoping pole shall rotate 360 degrees left or right and the light head shall tilt up and down. Overall stowed or mounted height shall not exceed six (6) foot. Total extended tripod height shall be eleven (11) feet or more from the ground to the top of the light head. Each tripod shall be equipped with a twelve-inch pigtail and a plug to match the existing receptacles used by the department. The apparatus manufacturer shall provide wiring for each of the installed lights and it shall be capable of carrying the maximum load required by that light and protected by a properly sized circuit breaker. The Extenda-Pod shall have a 5 year warranty. The SceneStar LED head shall have a 6 year warranty and shall carry a CE mark.

**STYLE ELSS-XLAC- POD-PL 240Vac SCENESTAR PORTABLE ON TRIPOD**

An Akron Brass, Extenda-Pod SceneStar type item ELSS-XLAC-W-POD-PL flood light that is a combination of an Extenda-Pod Pull-Up style telescoping tripod mounted per the customer's request and a ELSS-XLAC-PL hand portable flood light mounted on top of the Pull-Up pole with Extenda-Lite's exclusive spring loaded disconnect shall be provided. The light head shall be mounted on a heavy duty, cast aluminum ground tripod base with rubber feet. The ELSS-XLAC-PL shall be easy to unplug and remove from the Pull-Up pole when a portable flood light is required. All mounting brackets and pole fittings including the tripod base shall be heavy duty, cast aluminum and powder painted white to match the light head. Each ELSS-XLAC-PL portable hand light shall be equipped with a 220 watt white SceneStar LED light head. The lamp shall operate between 180Vac and 265Vac have an output of 20,000 lumens. The light head shall contain 48 high power LEDs and a highly polished reflector. All threaded holes in the light head shall use stainless steel thread inserts and stainless steel hardware. The light head shall tilt up and down. Each light head shall also be equipped with a heavy duty carrying handle. Lights shall be UL listed. All tripod poles and legs shall be made only from drawn aluminum tubes. Each pole shall be deep etched and clear anodized to ensure a corrosion free appearance and lasting durability. Overall stowed or mounted height shall not exceed six (6) foot. Total extended tripod height shall be eleven (11) feet or more from the ground to the top of the light head. Each tripod shall be equipped with a twelve inch pigtail and a plug. The apparatus manufacturer shall provide wiring for each of the installed lights and it shall be capable of carrying the maximum load required by that light and protected by a properly sized circuit breaker. The Portable Extenda-Pod shall have a 5 year warranty. The SceneStar LED head shall have a 6 year warranty.

---

## **SPECIFICATION – 240VAC**

---

### **STYLE ELSS-XLAC- AO 240Vac SCENESTAR EXTENDA-LITE AIR OPERATED**

An Akron Brass, Extenda-Lite Air Operated item ELSS-XLAC-W-AO flood light with a pneumatically raised style telescoping pole and top mounting brackets shall be provided. All mounting brackets and pole fittings shall be heavy duty, cast aluminum and powder painted white to match the light head. Each telescoping pole shall be equipped with a 220 watt light head with the front bezel painted white. The light head shall contain 48 high power LEDs and a highly polished reflector. The light head shall operate between 180Vac and 265Vac and regulate LED temperature to maximize LED life. The light head shall tilt up and down with two heavy duty handles and shall be mounted on to the top of the pole with a swivel assembly. An on/off switch with weather-proof boot shall be provided on the swivel assembly. The inside pole with the light head attached shall rise up and down pneumatically. All controls and actuators shall be installed in a compact 6" x 6" x 8" box with the 12 volt control switch to be supplied by the customer. The outside pole shall be fifty eight inches (58") long and the inside pole shall be forty two inches (42") in length as standard or lengths can be adjusted by the manufacturer as required to fit a specified mounting location. All outside poles shall be made only from drawn aluminum tubes. Each pole shall be deep etched, wire brushed and clear anodized to ensure a corrosion free appearance and lasting durability. All inside poles shall be anodized black hard coat to ensure a corrosion free appearance and lasting durability. The outside pole shall rotate 360 degrees left or right and have a knob to hold it in place. The apparatus manufacturer shall provide wiring for each of the installed lights and it shall be capable of carrying the maximum load required by that light and protected by a properly sized circuit breaker. The Air Operated telescoping pole shall have a 5 year warranty. The SceneStar LED head shall have a 6 year warranty and shall carry a CE mark.

### **STYLE ECRP-10-ELSS-XLAC 10" CORD REEL LIGHT WITH 240Vac SCENESTAR**

An Akron Brass, Cord Reel Light item ECR-10-4500 10" live cord reel with a 220 watt Extenda-Lite AC SceneStar and gang box shall be provided. The cord reel light shall be of heavy duty construction, powder coated, and has a 30amp rated live slip ring design. The cord reel shall have options for various specified cord lengths and NEMA Connectors. The cord reel shall have a 5 year warranty. The SceneStar LED head shall carry a 6 year warranty.

### **STYLE ELSS-XLAC-240-DIN 240Vac SCENESTAR EXTENDA-LITE DIN MOUNT**

An Akron Brass, Extenda-Lite DIN mounted LED Scene light item ELSS-XLAC-240-DIN shall be provided. Each Light shall be equipped with a 220 watt light head with the front bezel painted white. The light head shall contain 48 high power LEDs and a highly polished reflector. The light head shall operate between 180Vac and 265Vac and regulate LED temperature to maximize LED life. There shall be a DIN mount bracket with an angle tilt- adjustment attached to the bottom of the light housing. The cast aluminum housing shall not exceed 190° F. Each light shall be equipped with a 30' (10m) Cable & DIN plug. The Extenda-Lite DIN Mount components shall have a 5 year warranty. The SceneStar LED head shall have a 6 year warranty and shall be UL listed and ULC listed and carry a CE mark.

### **STYLE ELSS-XLAC-PM 240Vac SCENESTAR EXTENDA-LITE PEDESTAL MOUNT**

An Akron Brass, Pedestal Mount type ELSS-XLAC-W-PM flood light(s) that are non-telescopic and side mounting brackets shall be provided. All Pedestal Mount mounting brackets shall be heavy duty, cast aluminum and powder painted white to match the light head. Each Pedestal Mount shall be equipped with a 220 watt light head with the front bezel painted white. The light head shall contain 48 high power LEDs and a highly polished reflector. The light head shall operate between 180Vac and 265Vac and regulate LED temperature to maximize LED life. The light head shall tilt up and down with two heavy duty handles and shall be mounted on to the top of the fixed Pedestal Mount. An on/off switch with weather-proof boot shall be provided on the swivel assembly. The light head shall not swivel right and left and be fixed as mounted. The apparatus manufacturer shall provide wiring for each of the installed lights and it shall be capable of carrying the maximum load required by that light and protected by a properly sized circuit breaker. The Pedestal Mount shall have a 5 year warranty. The SceneStar LED head shall have a 6 year warranty and carry a CE mark.