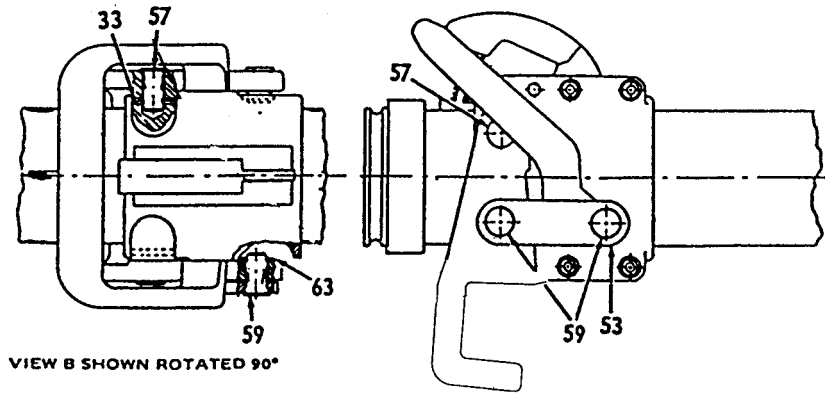
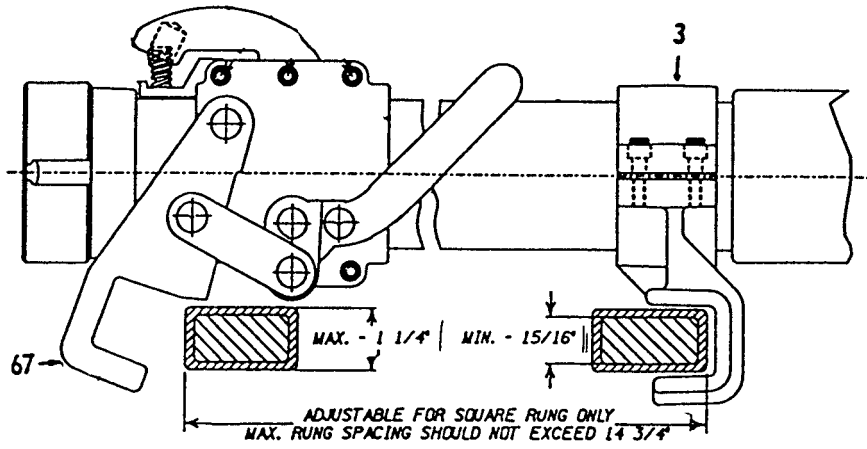


MAXIMUM FLOW 750 GPM (2900 LPM)
MAXIMUM PRESSURE 100 PSI (690 KPA)

SQUARE RUNG LADDER TYPE



ITEM NO.	DESCRIPTION	PART NUMBER	QUANTITY
1	Swiveling Snap Hook	7-21-013	2
2	Set Screw	7-65-008	2
3	Upper Clamp (Round Rung)	104896	1
3	Upper Clamp (Square Rung)	107533	1
4	Lower Clamp Bracket†	104897	1
5	Drive Screw	7-36-045	4
6	Name Plate	7-73-268	1
7	Set Screw	7-65-025	1
8	Plunger	7-45-051	1
9	Spring	7-68-150	1
10	Plunger Housing	101668	1
11	Handwheel	101670	1
12	Pig Ring	7-58-006	4
13	Manila Rope (200' — 3/8")	7-58-011	1
14	Item # not used		
15	Handle Plug†	101659	1
16	Rope Swivel†	101669	1
17	Groove Pin†	7-44-208	1
18	Handle†	102052	1
19	Roll Pin†	7-44-080	2
20	Set Screw**	7-65-018	1
21	Tip — 1 1/4" Orifice	0489-0002	1
21	Tip — 1 3/8" Orifice	0489-0001	1
21	Tip — 1 1/2" Orifice	0489-0027	1
21	Tip — 1 3/4"	0489-0030	1
22	Gasket (one included with each tip)**	7-17-043	4
23	Rope Swivel Ring**	102067	1
24	Top Adapter**	101581	1
25	Discharge Pipe**	102055	1
26	Elbow Swivel Screw (provided with #37)	7-60-010	4
27	Bottom Adapter**	101580	1
28	Siamese	102064	1
29	Ratchet Hub	117875	1
30	Handle Ratchet†	117873	1
31	Tru-Arc Ring†	7-58-037	1
32	Handle Knob†	101660	1
33	Roll Pin†	7-44-056	1
34	Socket Head Cap Screw	7-67-003	4
35	Handle Ratchet Stud†	117871	1
36	Vee Gasket Retaining Ring	7-58-099	2
37	Elbow Swivel	104832	2
38	Vee Gasket	7-15-016	2
39	Ball Bearing — Siamese	***	45
40	Base Adapter	109841	1
41	Inlet Pipe	102053	1
42	Swivel Adapter — 2 1/2"	102058	1
42	Swivel Adapter — 3"	102059	1
43	Gasket — 2 1/2"	7-17-043	1
43	Gasket — 3"	7-14-022	1
44	Swivel* — 2 1/2"(NH)	101420	1
45	Swivel* — 3" (NH)	104013	1
46	Swivel Plug	7-42-023	1



STYLE 1496
Square Rung Ladder Pipe
TECHNICAL SERVICE PARTS LIST

ITEM NO.	DESCRIPTION	PART NUMBER	QUANTITY
47	Ball Bearing (2 1/2" Swivel)	***	38
47	Ball Bearing (3" Swivel)	***	46
48	O-Ring	757003	1
49	Swivel Plug	742023	1
50	Siamese Inlet	109840	1
51	Swivel Wire (11")**	783029	1
52	Socket Head Set Screw†	767003	9
53	Connecting Bar†	101667	2
54	Item # not used		
55	Safety Catch†	102063	1
56	Lower Handle Bracket†	120246	1
57	Hook Pin†	102065	4
58	Item # not used		
59	Link Pin†	102066	4
60	Roll Pin†	744066	4
61	Spring	768167	1
62	Item # not used		
63	Roll Pin†	744066	4
64	Spring Retainer†	102056	1
65,66	Item # not used		
67	Lower Hook Bracket (Round Rung)†	120244	1
67	Lower Hook Bracket (Square Rung)†	107534	1
68	Socket Head Set Screw		1

*For other threads order by description and thread size (ODM and TPI) or Akron Thread Code.

NOTE: If unit does not have a Spring Loaded Safety Catch (#55) contact Akron Brass for a no charge Retrofit Kit (P/N 1497-00-0-1-25-001).

NOTE: If Handle Knob (#32) is detachable, unit may be upgraded to prevent the handle from coming off when loosening the knob by replacing items #29, #35 and adding item #68.

NOTE: When repairing the Lower Clamping Bracket, note the number of screws holding the assembly to the pipe. If only 2 screws are provided (#52) the entire Lower Clamping Bracket Assembly must be ordered (P/N 1496-00-8-1-19-001). Included in the Lower Clamping Bracket Assembly is item #4 and Items #52 and #67.

NOTE: If Handle (#18) has a Snap Ring immediately above the rope swivel (#16) and Snap Ring is needed, replace with the new Handle (#18) and Groove Pin (#17).

** Parts included in Discharge Pipe Assembly (P/N 1496-00-7-1-61-030).

†Parts included in Lower Clamping Bracket Assembly (P/N 1496-00-8-1-19-001).

‡Parts included in Elevation Handle Assembly (P/N 1496-00-8-2-41-001).

***Packet of 50 Ball Bearings - P/N 70002629.



Tested... Proven... Trusted.

ISO 9001 REGISTERED COMPANY

PHONE: 330.264.5678 or 800.228.1161 | FAX: 330.264.2944 or 800.531.7335 | akronbrass.com

REVISED: 6/11

WARRANTY AND DISCLAIMER: We warrant Akron Brass products for a period of five (5) years after purchase against defects in materials or workmanship. Akron Brass will repair or replace product which fails to satisfy this warranty. Repair or replacement shall be at the discretion of Akron Brass. Products must be promptly returned to Akron Brass for warranty service.

We will not be responsible for: wear and tear; any improper installation, use, maintenance or storage; negligence of the owner or user; repair or modification after delivery; damage; failure to follow our instructions or recommendations; or anything else beyond our control. WE MAKE NO WARRANTIES, EXPRESS OR IMPLIED, OTHER THAN THOSE INCLUDED IN THIS WARRANTY STATEMENT, AND WE DISCLAIM ANY IMPLIED WARRANTY OF MERCHANTABILITY OR FITNESS FOR ANY PARTICULAR PURPOSE. Further, we will not be responsible for any consequential, incidental or indirect damages (including, but not limited to, any loss of profits) from any cause whatsoever. No person has authority to change this warranty.

© Akron Brass Company. 2011 All rights reserved. No portion of this can be reproduced without the express written consent of Akron Brass Company.