

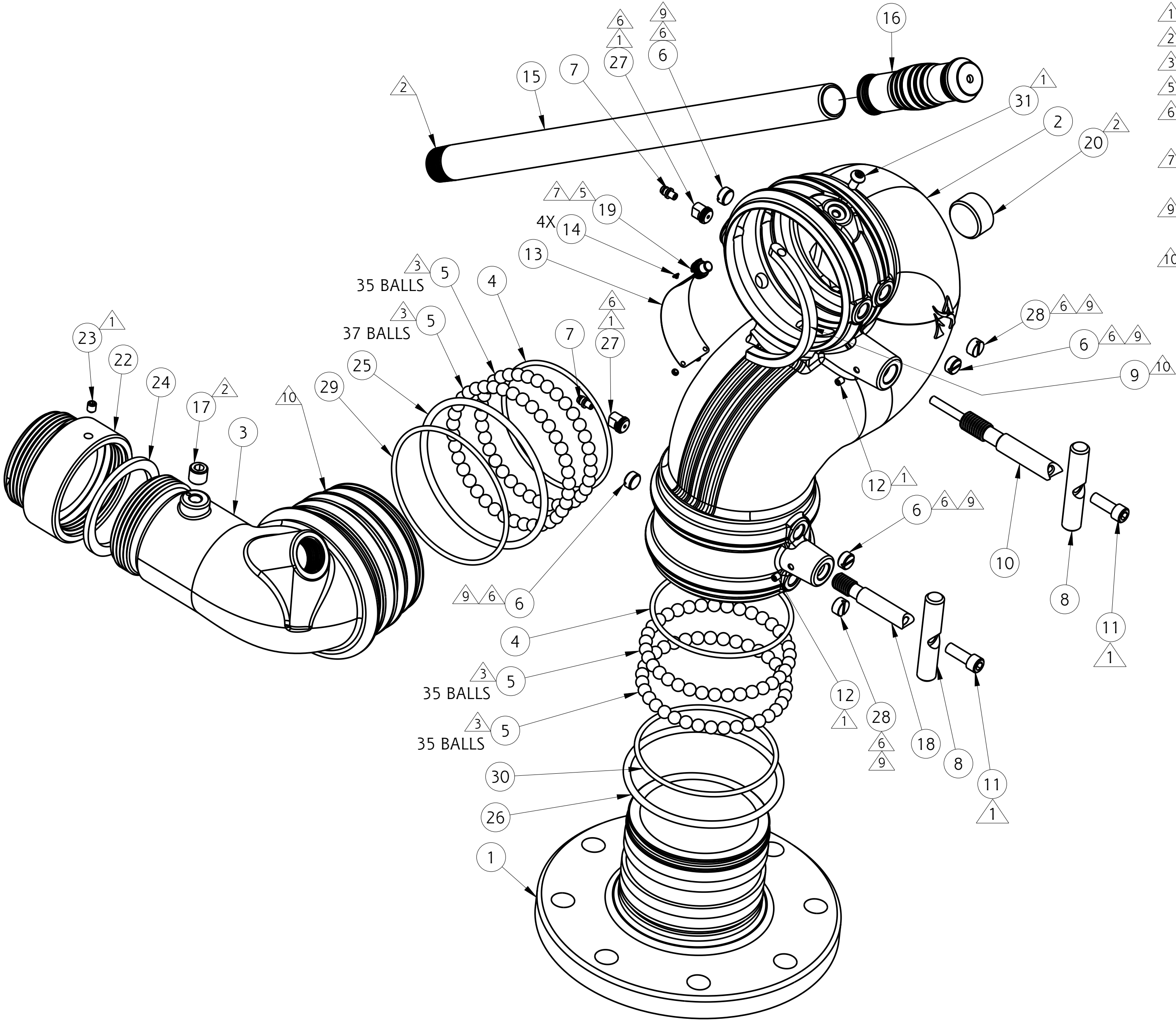


TECHNICAL SERVICE PARTS

STYLE 3528
PRODUCT OMEGA XP

IF AN ITEM IS NOTED AS "NOT FIELD REPAIRABLE", OR YOU WISH TO RETURN AN ITEM TO AKRON BRASS FOR SERVICE PLEASE GO ONLINE TO, ONLINEREPAIR.AKRONBRASS.COM

Chg.	Date
17	08-20
18	04-21



- ASSEMBLY NOTES:
- USE PARKER O-LUBE ON ALL O-RINGS AND MATING SURFACES UNLESS OTHERWISE NOTED.
 - 1 USE PERMABOND LM113 OR LOCTITE 222.
 - 2 USE PERMABOND LH050 OR LOCTITE 592.
 - 3 USE MOBILITH SHC 460.
 - 5 USE PRIMER T AND PERMABOND HH120 OR LOCTITE 277.
 - 6 ALIGN BALL IN HOLE. TIGHTEN PLUG UNTIL TOUCHES BALL. THEN BACK OUT PLUG 1/4-1/2 TURN.
 - 7 TIGHTEN UNTIL BOTTOMS ON ITEM 3, THEN BACKOUT 1/4 TURN.
 - 9 THOROUGHLY CLEAN THREADS OF PLUG AND MATING PART AND APPLY LOCTITE 425.
 - 10 DO NOT GREASE BRAKE OR BRAKE GROOVE.

PHONE: 800.228.1161 | www.akronbrass.com

WARRANTY AND DISCLAIMER*: We warrant Akron Brass products for a period of five (5) years* after purchase against defects in materials or workmanship. Akron Brass will repair or replace product which fails to satisfy this warranty. Repair or replacement shall be at the discretion of Akron Brass. Products must be promptly returned to Akron Brass for warranty service. We will not be responsible for: wear and tear; any improper installation, use, maintenance or storage; negligence of the owner or user; repair or modification after delivery; failure to follow our instructions or recommendations; or anything else beyond our control. WE MAKE NO WARRANTIES, EXPRESS OR IMPLIED, OTHER THAN THOSE INCLUDED IN THIS WARRANTY STATEMENT, AND WE DISCLAIM ANY IMPLIED WARRANTY OF MERCHANTABILITY OR FITNESS FOR ANY PARTICULAR PURPOSE. Further, we will not be responsible for any consequential, incidental or indirect damages (including, but not limited to, any loss of profits) from any cause whatsoever. No person has authority to change this warranty. *Unless otherwise provided herein. Akron Brass industrial electronic components & the Severe-Duty Monitor have a one (1) year warranty. Select Akron Brass handline nozzles and valves carry a ten (10) year warranty. Scene Star Lights carry a (6) year warranty. Weldon products have a two (2) year warranty from date of manufacture (excluding consumable components). Select Weldon LED products carry a five (5) year warranty. Honda products have the manufacturers' warranty and Akron Brass disclaims any warranty in respect of those products.

© 2016 Akron Brass Company. All rights reserved. No portion of this can be reproduced without the express written consent of the Akron Brass Company.

Parts List Sheet:
125820

D44030



TECHNICAL SERVICE PARTS

STYLE 3528

PRODUCT OMEGA XP

IF AN ITEM IS NOTED AS "NOT FIELD REPAIRABLE", OR YOU WISH TO RETURN AN ITEM TO AKRON BRASS FOR SERVICE PLEASE GO ONLINE TO, **ONLINEREPAIR.AKRONBRASS.COM**

Chg.	Date
17	08-20
18	04-21

Find	Description	Item	QTY
1	BASE INLET 3" 150# FLANGE	122987	1
1	BASE INLET 4" 150# FLANGE	122986	1
1	BASE INLET 4" 150# R.F. FLANGE	124144	1
1	BASE INLET DN100 FLANGE	122988	1
1	BASE INLET DN80 FLANGE	123952	1
2	GOOSENECK	125209	1
3	ELBOW OUTLET 2.5" NH	125210	1
4	B O-RING 2-241	-	2
5	A,B BALL BRASS 3/8" DIA	-	142
6	B PLUG SWIVEL 1/2 -20 x 1/4"	-	6
7	G GREASE FITTING	713191	2
8	C, D HANDLE TEE	-	2
9	BRAKE BAND	803191	1
10	C ELEVATION BRAKE SHAFT - TEE HANDLE	-	1
11	C, D SCREW SOCKET HEAD CAP 5/16-18 x 7/8"	-	2
12	SCREW ALLEN HEAD SET CUP #10-24 x 1/4"	765025	2
13	PLATE ID	745269	1
14	NAIL GRIP	736052	4
15	HANDLE - STAINLESS STEEL	721777	1
16	GRIP HANDLE FLEX	718071	1
17	PLUG PIPE SOCKET HEAD 1/8"NPT	744009	1
18	D ROTATION BRAKE SHAFT - TEE HANDLE	-	1
19	STOP	769959	1
20	PLUG PIPE 1"NPT	744286	1
22	** ADAPTER	-	1
23	SCREW SOCKET HEAD CUP POINT SET 1/4-20 x 1/4"	765002	1
24	** GASKET	717043	1
25	B O-RING 2-349	-	1
26	B O-RING 2-347	-	1
27	G SWIVEL PLUG	742143	2
28	B PLUG SWIVEL W/HOLE	-	2
29	B O-RING 2-244	-	1
30	B O-RING 2-242	-	1
31	BUTTON HEAD CAP SCREW 1/4-20 x 1/2	765153	1

REPAIR KITS		P/N
A	KIT OF 50 BALLS	109342
B	FIELD SEVICE KIT	95280001
C	ELEVATION TEE HANDLE BRAKE REPAIR KIT	35284022
D	ROTATION TEE HANDLE BRAKE REPAIR KIT	35284023
G	GREASE FITTING KIT	122420

** CONTACT CUSTOMER SERVICE FOR AVAILIABLE ADAPTER SIZES.

PHONE: 800.228.1161 | www.akronbrass.com

WARRANTY AND DISCLAIMER*: We warrant Akron Brass products for a period of five (5) years* after purchase against defects in materials or workmanship. Akron Brass will repair or replace product which fails to satisfy this warranty. Repair or replacement shall be at the discretion of Akron Brass. Products must be promptly returned to Akron Brass for warranty service. We will not be responsible for: wear and tear; any improper installation, use, maintenance or storage; negligence of the owner or user; repair or modification after delivery; failure to follow our instructions or recommendations; or anything else beyond our control. **WE MAKE NO WARRANTIES, EXPRESS OR IMPLIED, OTHER THAN THOSE INCLUDED IN THIS WARRANTY STATEMENT, AND WE DISCLAIM ANY IMPLIED WARRANTY OF MERCHANTABILITY OR FITNESS FOR ANY PARTICULAR PURPOSE.** Further, we will not be responsible for any consequential, incidental or indirect damages (including, but not limited to, any loss of profits) from any cause whatsoever. No person has authority to change this warranty. *Unless otherwise provided herein. Akron Brass industrial electronic components & the Severe-Duty Monitor have a one (1) year warranty. Select Akron Brass handline nozzles and valves carry a ten (10) year warranty. Scene Star Lights carry a (6) year warranty. Weldon products have a two (2) year warranty from date of manufacture (excluding consumable components). Select Weldon LED products carry a five (5) year warranty. Honda products have the manufacturers' warranty and Akron Brass disclaims any warranty in respect of those products.

© 2016 Akron Brass Company. All rights reserved. No portion of this can be reproduced without the express written consent of the Akron Brass Company.

Parts List Sheet:

125820