



TECHNICAL SERVICE PARTS

STYLE 4475

PRODUCT AKROFOAM

IF AN ITEM IS NOTED AS "NOT FIELD REPAIRABLE", OR YOU WISH TO RETURN AN ITEM TO AKRON BRASS FOR SERVICE PLEASE GO ONLINE TO, ONLINEREPAIR.AKRONBRASS.COM

Chg.	Date
06	07-17
07	11-19

ASSEMBLY NOTES:

USE PARKER O-LUBE ON ALL O-RINGS AND MATING SURFACES UNLESS OTHERWISE NOTED.

2 USE PRIMER T AND PERMABOND HH120 OR LOCTITE 277.

3 USE PERMABOND LM113 OR LOCTITE 222.

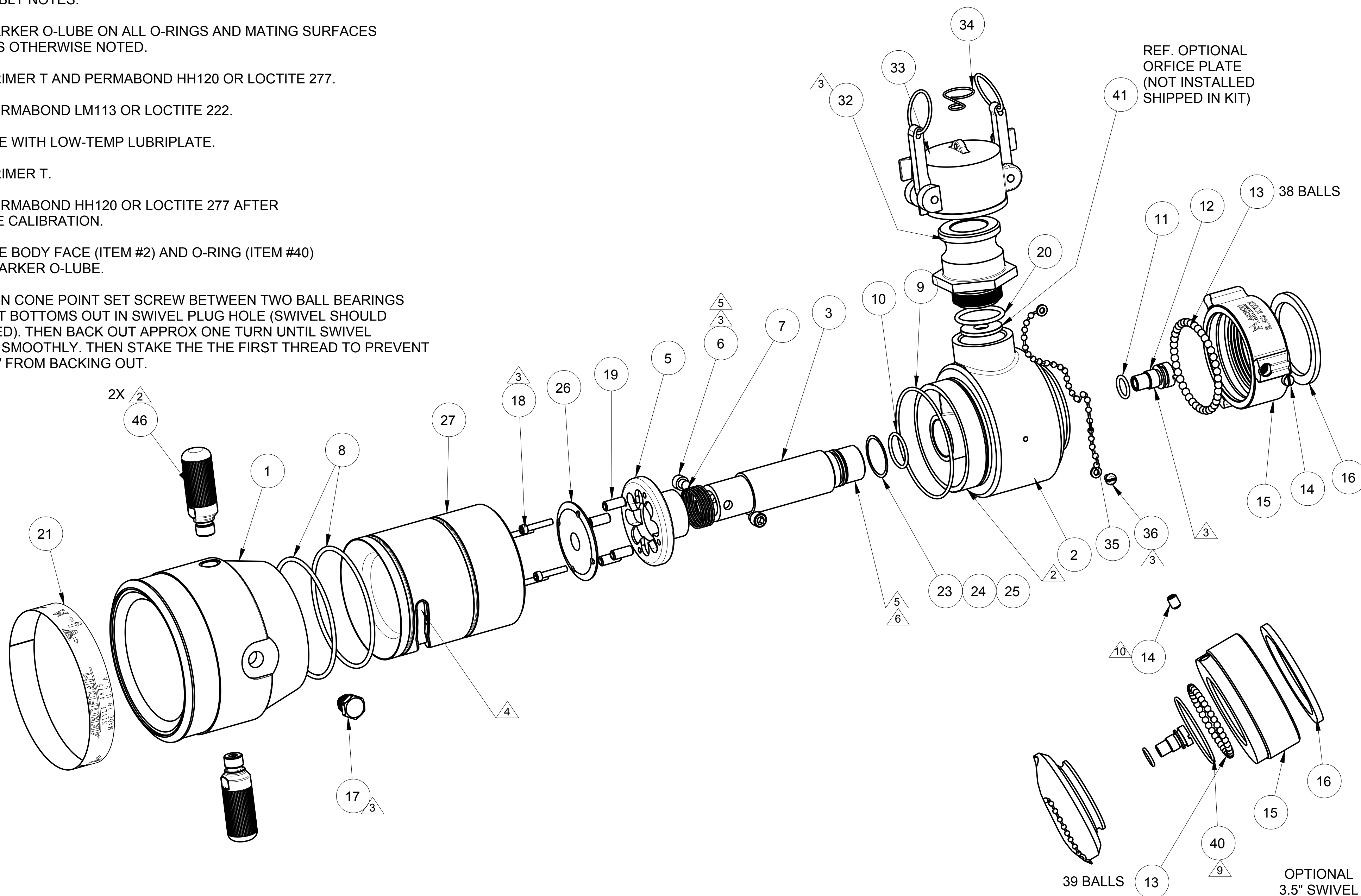
4 GREASE WITH LOW-TEMP LUBRIPLATE.

5 USE PRIMER T.

6 USE PERMABOND HH120 OR LOCTITE 277 AFTER NOZZLE CALIBRATION.

9 GREASE BODY FACE (ITEM #2) AND O-RING (ITEM #40) WITH PARKER O-LUBE.

10 TIGHTEN CONE POINT SET SCREW BETWEEN TWO BALL BEARINGS UNTIL IT BOTTOMS OUT IN SWIVEL PLUG HOLE (SWIVEL SHOULD BE FIXED). THEN BACK OUT APPROX ONE TURN UNTIL SWIVEL TURNS SMOOTHLY. THEN STAKE THE THE FIRST THREAD TO PREVENT SCREW FROM BACKING OUT.



REF. OPTIONAL ORFICE PLATE (NOT INSTALLED SHIPPED IN KIT)

38 BALLS

39 BALLS

OPTIONAL 3.5" SWIVEL

PHONE: 330.264.5678 or 800.228.1161 | FAX: 330.264.2944 or 800.531.7335 | www.akronbrass.com

Parts List Sheet:

119790

WARRANTY AND DISCLAIMER*: We warrant Akron Brass products for a period of five (5) years* after purchase against defects in materials or workmanship. Akron Brass will repair or replace product which fails to satisfy this warranty. Repair or replacement shall be at the discretion of Akron Brass. Products must be promptly returned to Akron Brass for warranty service. We will not be responsible for: wear and tear; any improper installation, use, maintenance or storage; negligence of the owner or user; repair or modification after delivery; failure to follow our instructions or recommendations; or anything else beyond our control. WE MAKE NO WARRANTIES, EXPRESS OR IMPLIED, OTHER THAN THOSE INCLUDED IN THIS WARRANTY STATEMENT, AND WE DISCLAIM ANY IMPLIED WARRANTY OF MERCHANTABILITY OR FITNESS FOR ANY PARTICULAR PURPOSE. Further, we will not be responsible for any consequential, incidental or indirect damages (including, but not limited to, any loss of profits) from any cause whatsoever. No person has authority to change this warranty. *Unless otherwise provided herein. Akron Brass industrial electronic components & the Severe-Duty Monitor have a one (1) year warranty. Select Akron Brass handline nozzles and valves carry a ten (10) year warranty. Scene Star Lights carry a (6) year warranty. Weldon products have a two (2) year warranty from date of manufacture (excluding consumable components). Select Weldon LED products carry a five (5) year warranty. Honda products have the manufacturers' warranty and Akron Brass disclaims any warranty in respect of those products.

© 2016 Akron Brass Company. All rights reserved. No portion of this can be reproduced without the express written consent of the Akron Brass Company.



TECHNICAL SERVICE PARTS

STYLE 4475

PRODUCT AKROFOAM

IF AN ITEM IS NOTED AS "NOT FIELD REPAIRABLE", OR YOU WISH TO RETURN AN ITEM TO AKRON BRASS FOR SERVICE PLEASE GO ONLINE TO, **ONLINEREPAIR.AKRONBRASS.COM**

Chg.	Date
06	07-17
07	11-19

FIND		DESCRIPTION	ITEM	QTY
1		PATTERN SLEEVE	124357	1
2		NOZZLE BODY	124595	1
3		FOAM STEM	119789	1
5		BAFFLE HEAD	119791	1
6		SCREW SOC HD CAP 5/16-24X1/2"LG	765216	2
7		SPRING BAFFLE	768362	1
8	B	O-RING 2-242	-	2
9	B	O-RING 2-154	-	1
10	B	O-RING 2-121	-	1
11	B	O-RING 2-114	-	1
12		TUBE BLENDING	773361	1
13	A,B	BALL BRASS 1/4" OD (2 1/2")	-	38
13	A,B	BALL BRASS 1/4" OD (3 1/2")	-	39
14	A,B	PLUG SWIVEL (2 1/2")	-	1
14		SCREW SOCKET HEAD CONE POINT 1/4-20 X 3/8	765186	1
15		SWIVEL (2 1/2" NH)	101420	1
15		SWIVEL (3 1/2" NH)	109525	1
16	B	GASKET (2 1/2")	-	1
16	B	GASKET (3 1/2" NH)	-	1
17		CAM NUT	735045	1
18		SCREW SOC HD CAP 10-24 X 1"	767041	4
19		SPACER DEFLECTOR	123219	4
20	B	O-RING (2-221)	-	1
21		ID BAND	703614	1
23	*	SHIM PLASTIC .015 THK PINK	-	1
24	*	SHIM PLASTIC .010 THK BROWN	-	1
25	*	SHIM PLASTIC .005 THK BLUE	-	1
26		DEFECTOR PLATE	119769	1
27		BODY -UPPER NOZZLE	119788	1
32		CONNECTOR CAM LOCK	119770	1
33		CONNECTOR W/COVER	707494	1
34		CLIP S HOOK	707070	1
35		CHAIN BEADED 12"LG	706225	1
36		SCREW PAN HD MCH 10-24 X 1/4"	765104	1
40	B	O-RING 2-149	-	1
41		ORIFICE 500G @ 1% STAMPED "D" (OPTIONAL)	739078	1
41		ORIFICE 500G @ 3% STAMPED "E" (OPTIONAL)	739079	1
45		SCREW SOC HD CONE PT 1/4 -20 X 3/8	765108	2
46		HANDLE DETENT	124394	2

FIND	DESCRIPTION	ITEM
A	KIT OF 50 BALLS	109041
B	KIT, O-RING/SEALS	44750040

* INSTALLED AT THE FACTORY FOR FINAL FLOW CALIBRATION.

PHONE: 330.264.5678 or 800.228.1161 | FAX: 330.264.2944 or 800.531.7335 | www.akronbrass.com

Parts List Sheet:

119790

WARRANTY AND DISCLAIMER: We warrant Akron Brass products for a period of five (5) years* after purchase against defects in materials or workmanship. Akron Brass will repair or replace product which fails to satisfy this warranty. Repair or replacement shall be at the discretion of Akron Brass. Products must be promptly returned to Akron Brass for warranty service. We will not be responsible for: wear and tear; any improper installation, use, maintenance or storage; negligence of the owner or user; repair or modification after delivery; failure to follow our instructions or recommendations; or anything else beyond our control. WE MAKE NO WARRANTIES, EXPRESS OR IMPLIED, OTHER THAN THOSE INCLUDED IN THIS WARRANTY STATEMENT, AND WE DISCLAIM ANY IMPLIED WARRANTY OF MERCHANTABILITY OR FITNESS FOR ANY PARTICULAR PURPOSE. Further, we will not be responsible for any consequential, incidental or indirect damages (including, but not limited to, any loss of profits) from any cause whatsoever. No person has authority to change this warranty. *Unless otherwise provided herein. Akron Brass industrial electronic components & the Severe-Duty Monitor have a one (1) year warranty. Select Akron Brass handline nozzles and valves carry a ten (10) year warranty. Scene Star Lights carry a (6) year warranty. Weldon products have a two (2) year warranty from date of manufacture (excluding consumable components). Select Weldon LED products carry a five (5) year warranty. Honda products have the manufacturers' warranty and Akron Brass disclaims any warranty in respect of those products.

© 2016 Akron Brass Company. All rights reserved. No portion of this can be reproduced without the express written consent of the Akron Brass Company.