

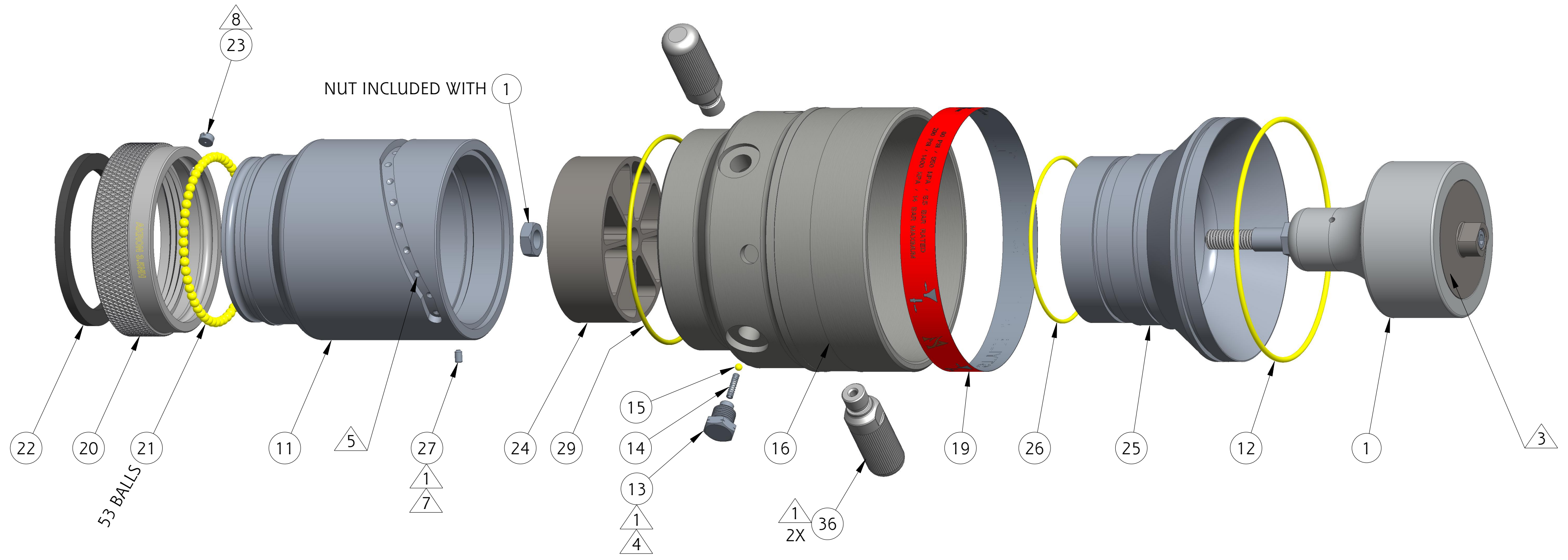


TECHNICAL SERVICE PARTS  
 STYLE 5170  
 PRODUCT AKROMATIC 2000

IF AN ITEM IS NOTED AS "NOT FIELD REPAIRABLE", OR YOU WISH TO RETURN AN ITEM TO AKRON BRASS FOR SERVICE PLEASE GO ONLINE TO, [ONLINEREPAIR.AKRONBRASS.COM](http://ONLINEREPAIR.AKRONBRASS.COM)

| Chg. | Date  |
|------|-------|
| 00   | 07-16 |
| 01   | 06-23 |

- NOTES:
- USE PARKER O-LUBE ON ALL O-RINGS AND MATING SURFACES UNLESS OTHERWISE NOTED
  - 1 USE PERMABOND LM113 OR LOCTITE 222
  - 2 USE PRIMER T AND PERMABOND HH120 OR LOCTITE 277
  - 3 STAMP LETTER "T" AFTER CALIBRATION
  - 4 TORQUE TO 20-30 FT-LB
  - 5 GREASE CAM GROOVE WITH LOW TEMP LUBRIPLATE (PT17235) AT ASSEMBLY
  - 6 USE PERMABOND 113 OR LOCTITE 222 ON SET SCREW AFTER CALIBRATION
  - 7 DIMPLE AT ASSEMBLY
  - 8 THOROUGHLY CLEAN THREADS OF PLUG AND MATING PART AND APPLY LOCTITE 425



PHONE: 800.228.1161 | [www.akronbrass.com](http://www.akronbrass.com)

**WARRANTY AND DISCLAIMER\*:** We warrant Akron Brass products for a period of five (5) years\* after purchase against defects in materials or workmanship. Akron Brass will repair or replace product which fails to satisfy this warranty. Repair or replacement shall be at the discretion of Akron Brass. Products must be promptly returned to Akron Brass for warranty service. We will not be responsible for: wear and tear; any improper installation, use, maintenance or storage; negligence of the owner or user; repair or modification after delivery; failure to follow our instructions or recommendations; or anything else beyond our control. WE MAKE NO WARRANTIES, EXPRESS OR IMPLIED, OTHER THAN THOSE INCLUDED IN THIS WARRANTY STATEMENT, AND WE DISCLAIM ANY IMPLIED WARRANTY OF MERCHANTABILITY OR FITNESS FOR ANY PARTICULAR PURPOSE. Further, we will not be responsible for any consequential, incidental or indirect damages (including, but not limited to, any loss of profits) from any cause whatsoever. No person has authority to change this warranty. \*Unless otherwise provided herein. Akron Brass industrial electronic components & the Severe-Duty Monitor have a one (1) year warranty. Select Akron Brass handline nozzles and valves carry a ten (10) year warranty. Scene Star Lights carry a (6) year warranty. Weldon products have a two (2) year warranty from date of manufacture (excluding consumable components). Select Weldon LED products carry a five (5) year warranty. Honda products have the manufacturers' warranty and Akron Brass disclaims any warranty in respect of those products.

© 2016 Akron Brass Company. All rights reserved. No portion of this can be reproduced without the express written consent of the Akron Brass Company.

Parts List Sheet:  
 126422  
 D48312

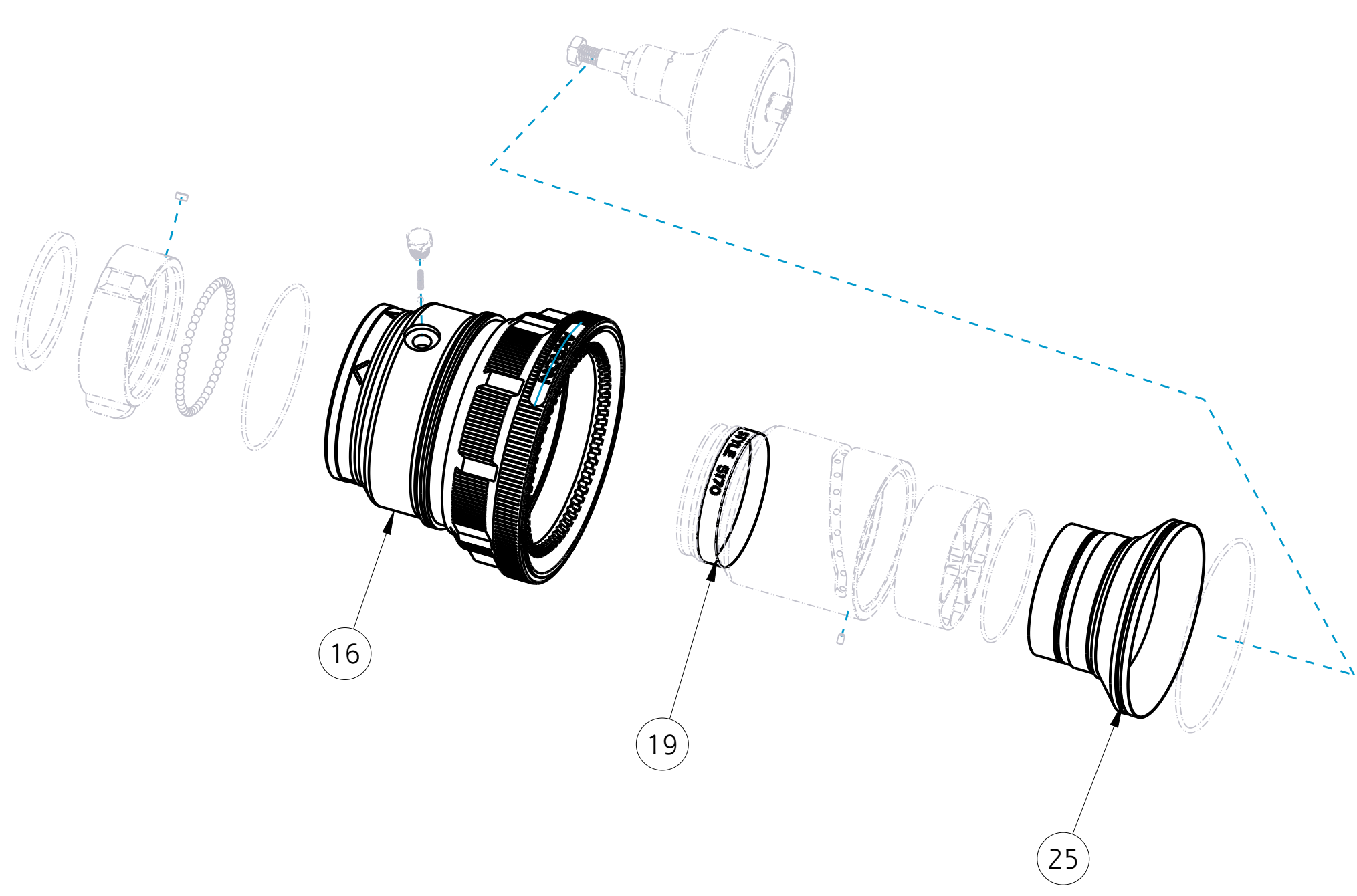


TECHNICAL SERVICE PARTS  
 STYLE 5170  
 PRODUCT AKROMATIC 2000

IF AN ITEM IS NOTED AS "NOT FIELD REPAIRABLE", OR YOU WISH TO RETURN AN ITEM TO AKRON BRASS FOR SERVICE PLEASE GO ONLINE TO, [ONLINEREPAIR.AKRONBRASS.COM](http://ONLINEREPAIR.AKRONBRASS.COM)

| Chg. | Date  |
|------|-------|
| 00   | 07-16 |
| 01   | 06-23 |

| Find | Description                              | Item     | QTY |
|------|--|----------|-----|
| 1    | 1500 GPM BAFFLE SUB-ASSEMBLY             | 51700005 | 1   |
|      | 2000 GPM BAFFLE SUB-ASSEMBLY             | 51700006 | 1   |
| 11   | NOZZLE BODY                              | 119983   | 1   |
| 12   | O-RING 2-257                             | 757303   | 1   |
| 13   | CAM NUT                                  | 735045   | 1   |
| 14   | DETENT SPRING                            | 769111   | 1   |
| 15   | BALL ST STL $\phi$ 3/16"                 | 704018   | 1   |
| 16   | ** PATTERN SLEEVE                        | 119982   | 1   |
| 19   | BAND INDICATOR 500/1500G 1900/5700L 5170 | 803291   | 1   |
| 19   | BAND INDICATOR 500/2000G 1900/7600L 5170 | 803292   | 1   |
| 20   | SWIVEL 3.5"NH                            | 128438   | 1   |
| 21   | * BALL BRASS $\phi$ 1/4"                 | 703017   | 53  |
| 22   | GASKET                                   | 714023   | 1   |
| 23   | SWIVEL PLUG                              | 742023   | 1   |
| 24   | STREAM SHAPER                            | 118247   | 1   |
| 25   | THROAT                                   | 118248   | 1   |
| 26   | O-RING 2-155                             | 757372   | 1   |
| 27   | SCREW 10-24 X 5/16"                      | 765040   | 1   |
| 28   | PKG SER PART LIST/INST 5170              | 119986   | 1   |
| 29   | TEFLON BEARING                           | 703556   | 1   |
| 36   | ** PATTERN HANDLE                        | 124394   | 2   |



\*\*\* OBSOLETE BUMPER DESIGN REPLACEMENT PARTS

| Find | Description                                  | Item     | QTY |
|------|--|----------|-----|
| 16   | *** PATTERN SLEEVE S/A                       | 51700007 | 1   |
| 19   | *** BAND INDICATOR 500/2000G 1900/7600L 5170 | 703638   | 1   |
| 25   | *** THROAT                                   | 118248   | 1   |

\* KIT OF 50 BALLS: 109041  
 \*\* THESE PARTS IN PATTERN S/A: 51700008

PHONE: 800.228.1161 | [www.akronbrass.com](http://www.akronbrass.com)

WARRANTY AND DISCLAIMER\*: We warrant Akron Brass products for a period of five (5) years\* after purchase against defects in materials or workmanship. Akron Brass will repair or replace product which fails to satisfy this warranty. Repair or replacement shall be at the discretion of Akron Brass. Products must be promptly returned to Akron Brass for warranty service. We will not be responsible for: wear and tear; any improper installation, use, maintenance or storage; negligence of the owner or user; repair or modification after delivery; failure to follow our instructions or recommendations; or anything else beyond our control. WE MAKE NO WARRANTIES, EXPRESS OR IMPLIED, OTHER THAN THOSE INCLUDED IN THIS WARRANTY STATEMENT, AND WE DISCLAIM ANY IMPLIED WARRANTY OF MERCHANTABILITY OR FITNESS FOR ANY PARTICULAR PURPOSE. Further, we will not be responsible for any consequential, incidental or indirect damages (including, but not limited to, any loss of profits) from any cause whatsoever. No person has authority to change this warranty. \*Unless otherwise provided herein. Akron Brass industrial electronic components & the Severe-Duty Monitor have a one (1) year warranty. Select Akron Brass handline nozzles and valves carry a ten (10) year warranty. Scene Star Lights carry a (6) year warranty. Weldon products have a two (2) year warranty from date of manufacture (excluding consumable components). Select Weldon LED products carry a five (5) year warranty. Honda products have the manufacturers' warranty and Akron Brass disclaims any warranty in respect of those products.  
 © 2016 Akron Brass Company. All rights reserved. No portion of this can be reproduced without the express written consent of the Akron Brass Company.

Parts List Sheet:

126422