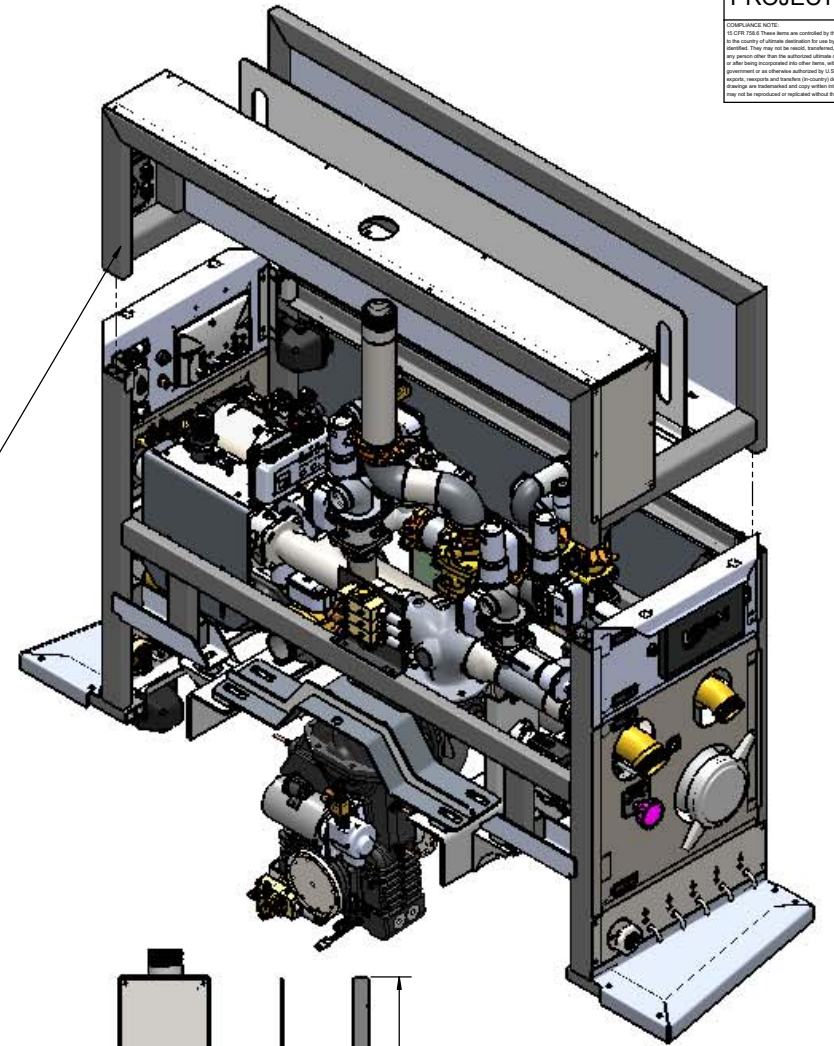
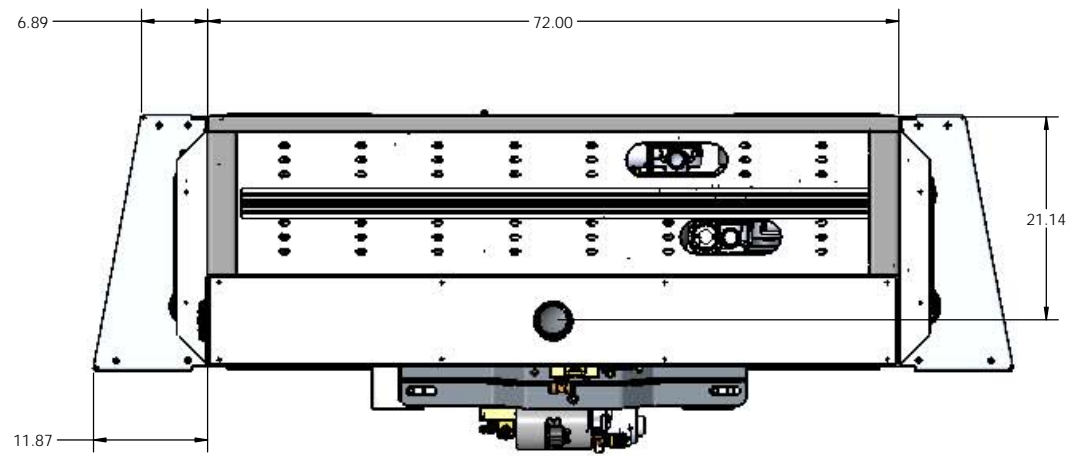
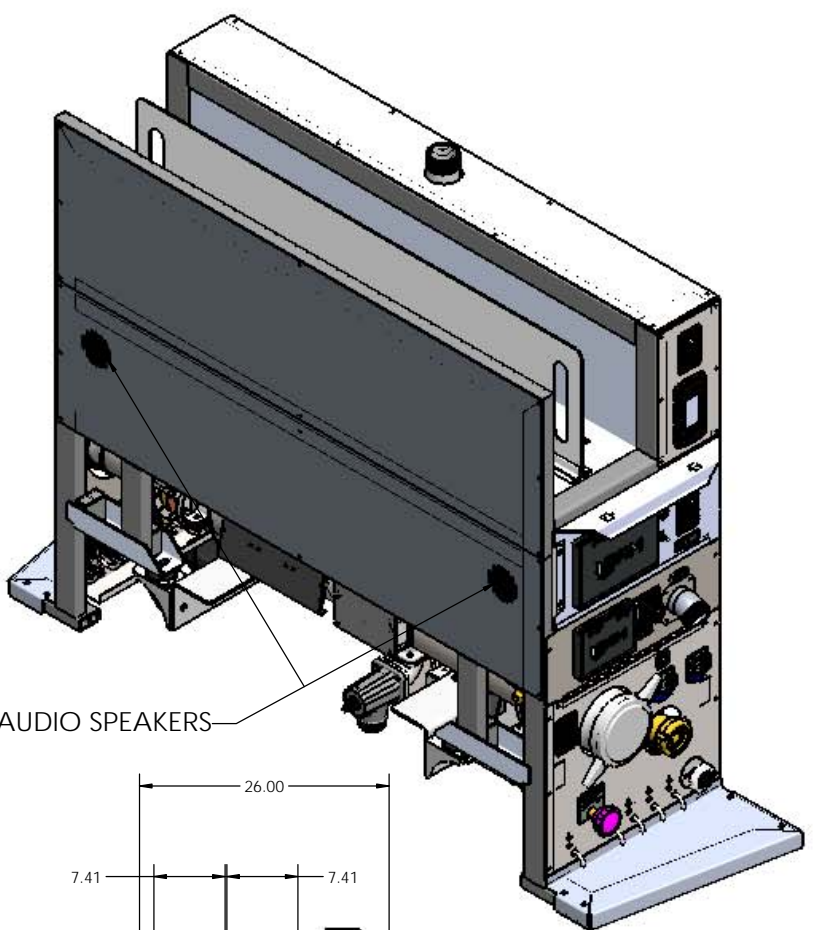


IF IN DOUBT ASK

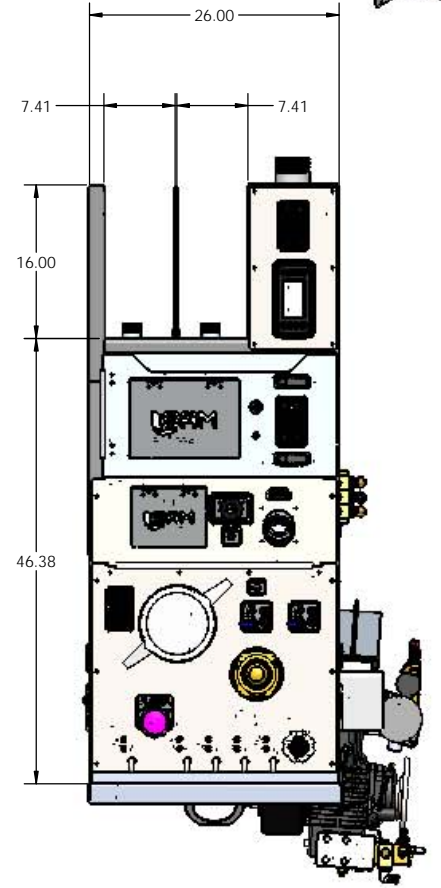
PROJECTION: 

COMPLIANCE NOTICE:
 15 CFR 758. These items are controlled by the U.S. Government and authorized for export only to the country of ultimate destination for use by the ultimate consignee or end-user(s) herein. This may not be used, transferred, or otherwise disposed of to any other country or to any person other than the authorized ultimate consignee or end-user(s), unless they appear hereon as an authorized recipient. This notice, without the shipping documents from the U.S. Government or an otherwise authorized U.S. law and regulation, has no "full effect" outside the government or an otherwise authorized recipient. For more information, please refer to the U.S. Government's International Traffic in Arms Regulations (ITAR). These drawings are unclassified and copy within individual property of ODC and its subsidiaries, and may not be reproduced or modified without the express written permission of ODC, Inc.

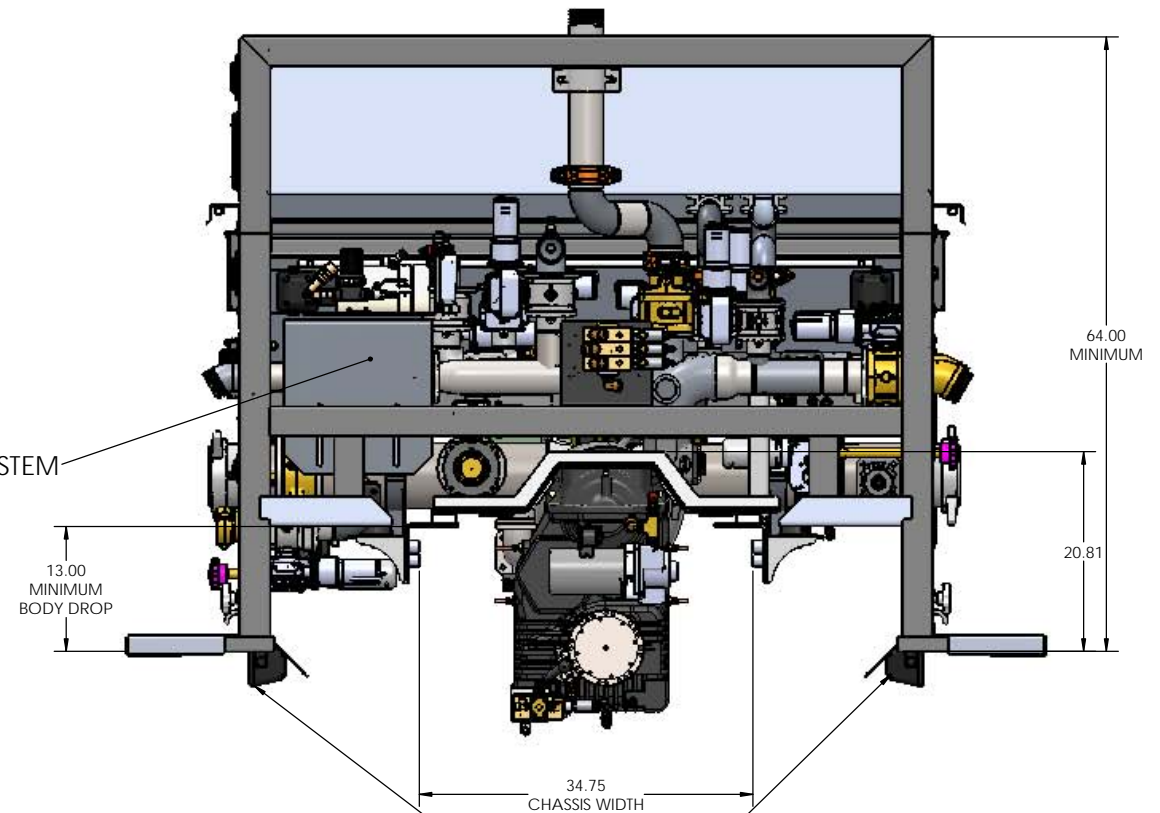


REMOVABLE TOP BODY

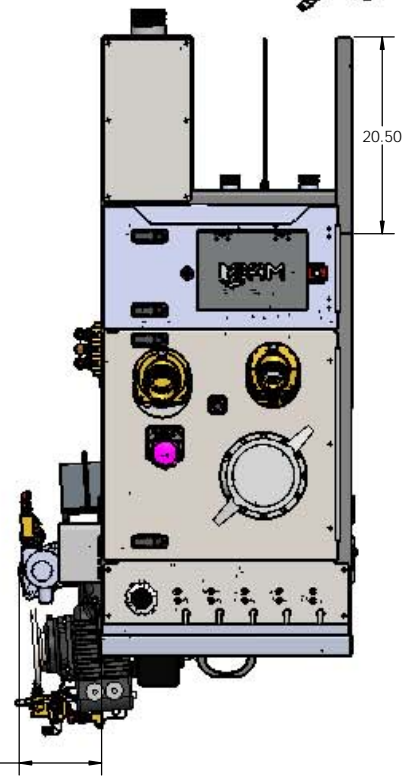
AUDIO SPEAKERS



SMARTFOAM SYSTEM







AUDIO SPEAKERS



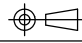
REVISIONS						
ECN	REV.	ZONE	CHANGED FROM	BY	DATE	APVD
	1		PRELIMINARY RELEASE	KTN	13DEC2019	TAM
	2		UPDATED MODEL, REPOSITIONED PVG BLOCK	KTN	26FEB2020	NG
	3		ADDED UV1100 & UV800 SCREEN PROTECTORS	KTN	11MAR2020	JLS

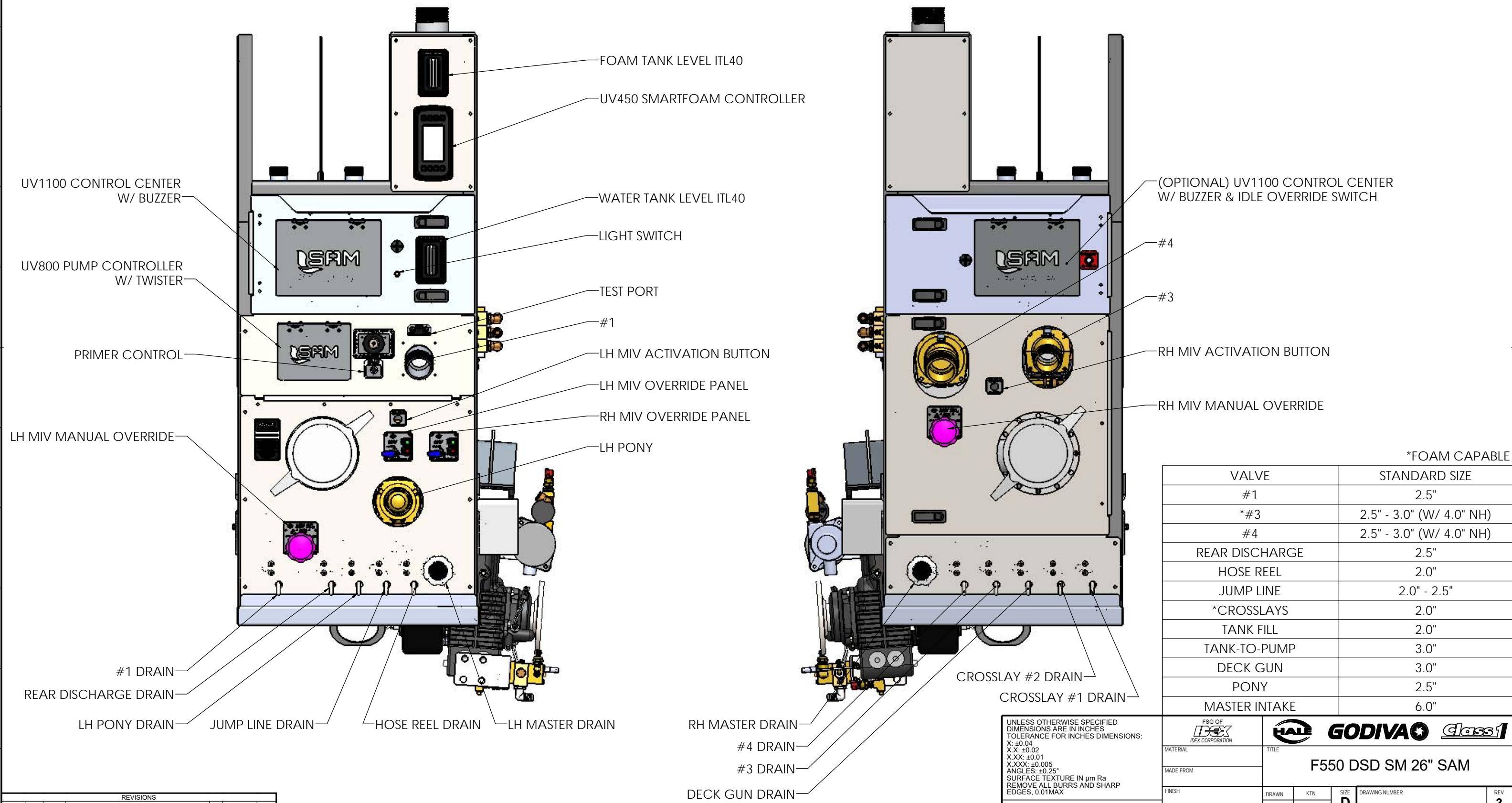
UNLESS OTHERWISE SPECIFIED
 DIMENSIONS ARE IN INCHES
 TOLERANCE FOR INCHES DIMENSIONS:
 X: ±0.04
 X.X: ±0.02
 X.XX: ±0.01
 X.XXX: ±0.005
 ANGLES: ±1°
 SURFACE TEXTURE IN µm Ra
 REMOVE ALL BURRS AND SHARP
 EDGES, 0.01MAX

COPYRIGHT ©
 NOT TO BE REPRODUCED OR USED TO
 MAKE OTHER DRAWINGS OR MACHINERY

							
MATERIAL		TITLE		DRAWN		REV	
MADE FROM		F550 DSD SM 26" SAM		KTN		3	
FINISH		DATE		APPROVED		SHEET	
PROJECT		13DEC2019		TAM		1 OF 3	
SIZE		SCALE		DRAWING NUMBER		REV	
D		1:10		592-00055		3	

IF IN DOUBT ASK

PROJECTION: 







*FOAM CAPABLE

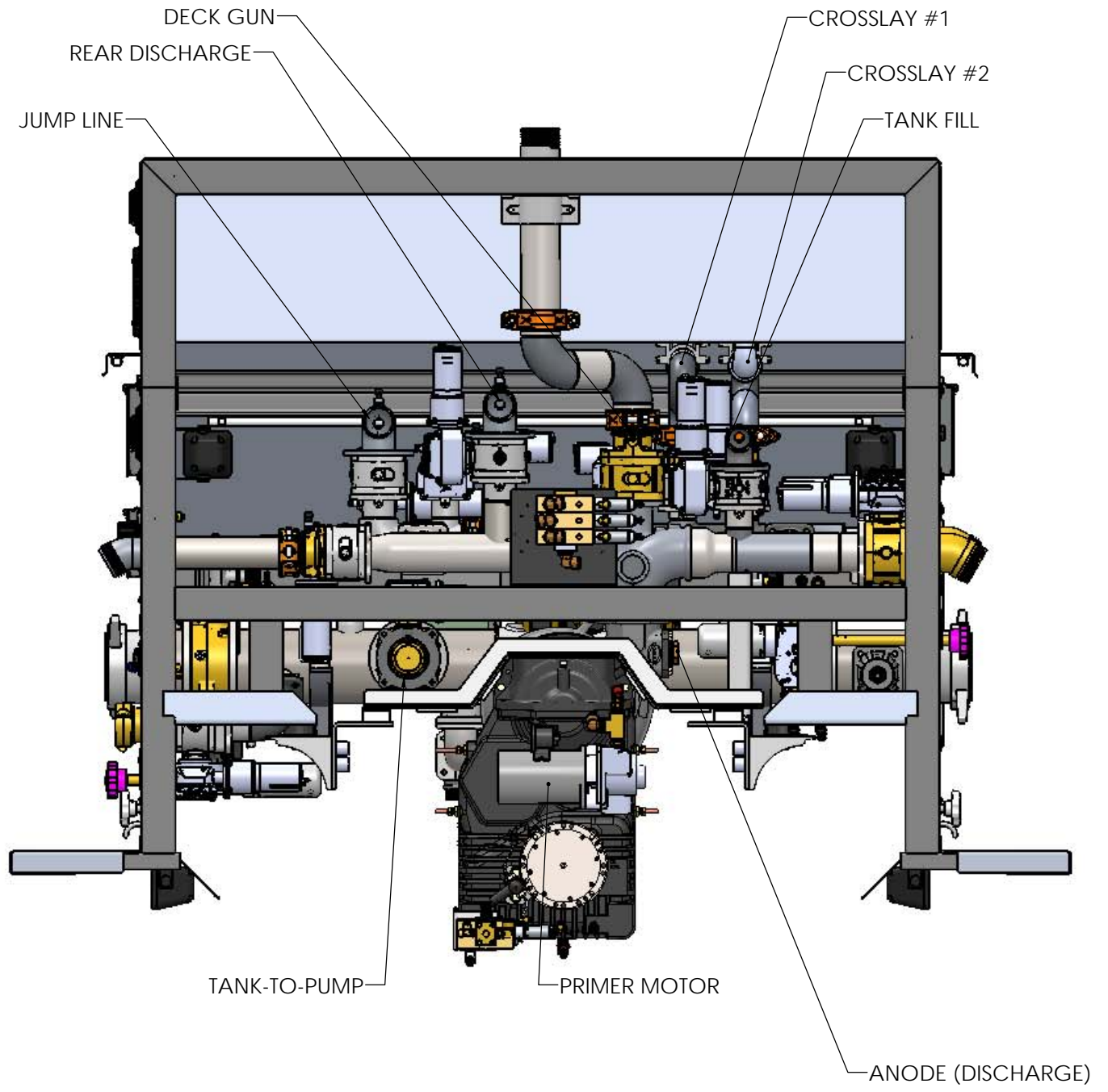
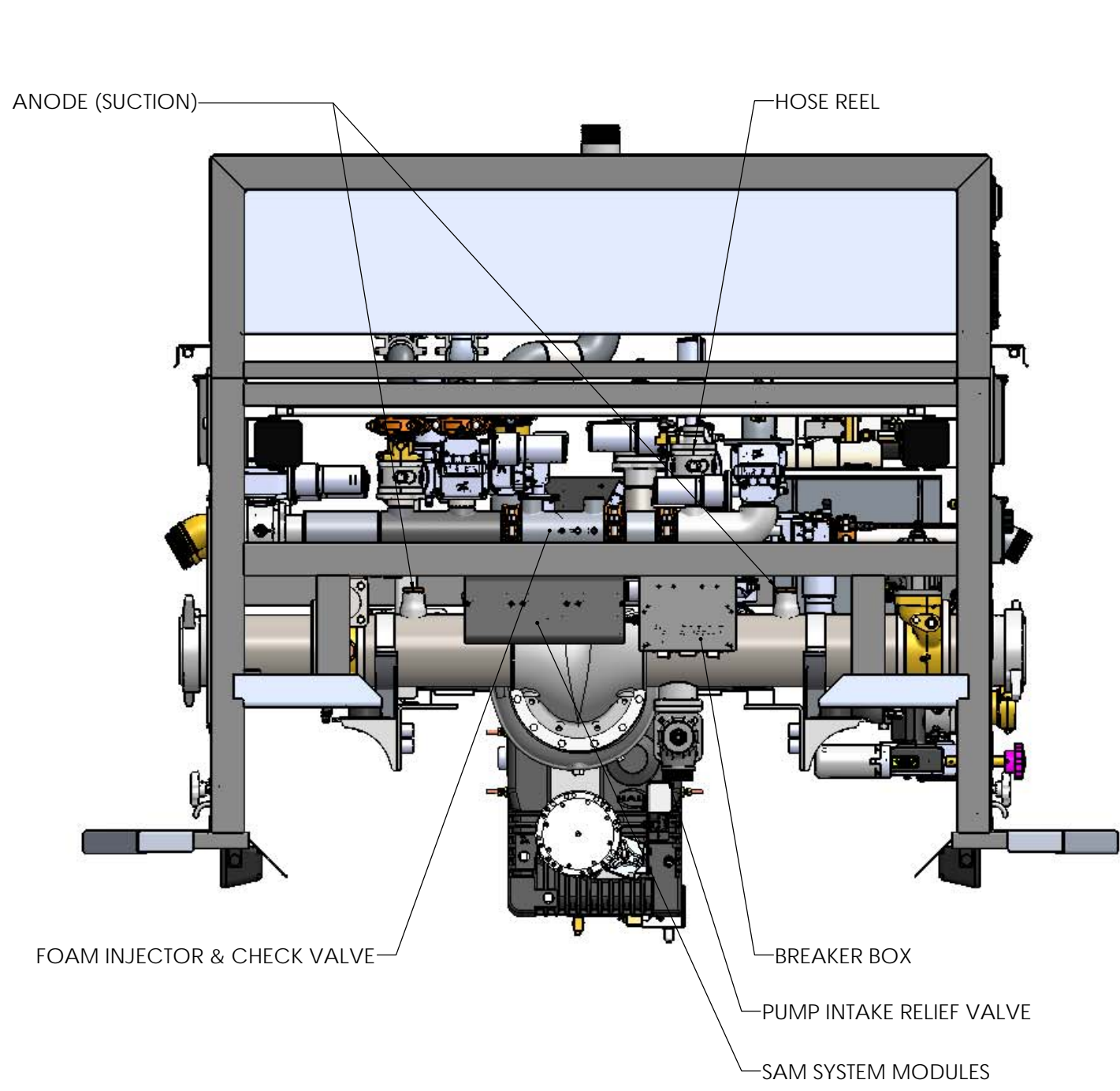
VALVE	STANDARD SIZE
#1	2.5"
*#3	2.5" - 3.0" (W/ 4.0" NH)
#4	2.5" - 3.0" (W/ 4.0" NH)
REAR DISCHARGE	2.5"
HOSE REEL	2.0"
JUMP LINE	2.0" - 2.5"
*CROSSLAYS	2.0"
TANK FILL	2.0"
TANK-TO-PUMP	3.0"
DECK GUN	3.0"
PONY	2.5"
MASTER INTAKE	6.0"

REVISIONS						
ECN	REV.	ZONE	CHANGED FROM	BY	DATE	APVD
-	-	See Sheet1	See Sheet1	-	-	-

UNLESS OTHERWISE SPECIFIED DIMENSIONS ARE IN INCHES TOLERANCE FOR INCHES DIMENSIONS:
 X: ±0.04
 X.X: ±0.02
 X.XX: ±0.01
 X.XXX: ±0.005
 ANGLES: ±0.25°
 SURFACE TEXTURE IN µm Ra
 REMOVE ALL BURRS AND SHARP EDGES, 0.01MAX

COPYRIGHT ©
 NOT TO BE REPRODUCED OR USED TO MAKE OTHER DRAWINGS OR MACHINERY

							
MATERIAL		TITLE					
MADE FROM		F550 DSD SM 26" SAM					
FINISH	DRAWN	KTN	SIZE	DRAWING NUMBER		REV	
PROJECT	APPROVED	TAM	D	592-00055		3	
DATE	13DEC2019	SCALE	1:5			SHEET 2 OF 3	







*FOAM SYSTEM REMOVED FOR CLARITY

REVISIONS						
ECN	REV.	ZONE	CHANGED FROM	BY	DATE	APVD
-	-	See Sheet1	See Sheet1	-	-	-

UNLESS OTHERWISE SPECIFIED
DIMENSIONS ARE IN INCHES
TOLERANCE FOR INCHES DIMENSIONS:
X: ±0.04
X.X: ±0.02
X.XX: ±0.01
X.XXX: ±0.005
ANGLES: ±0.25°
SURFACE TEXTURE IN µm Ra
REMOVE ALL BURRS AND SHARP
EDGES, 0.01MAX

COPYRIGHT ©
NOT TO BE REPRODUCED OR USED TO
MAKE OTHER DRAWINGS OR MACHINERY

							
MATERIAL		TITLE					
MADE FROM		F550 DSD SM 26" SAM					
FINISH		DRAWN	KTN	SIZE	DRAWING NUMBER		
PROJECT		APPROVED	TAM	D	592-00055		
		DATE	13DEC2019	SCALE	1:7		
				REV	3		
				SHEET		3 OF 3	