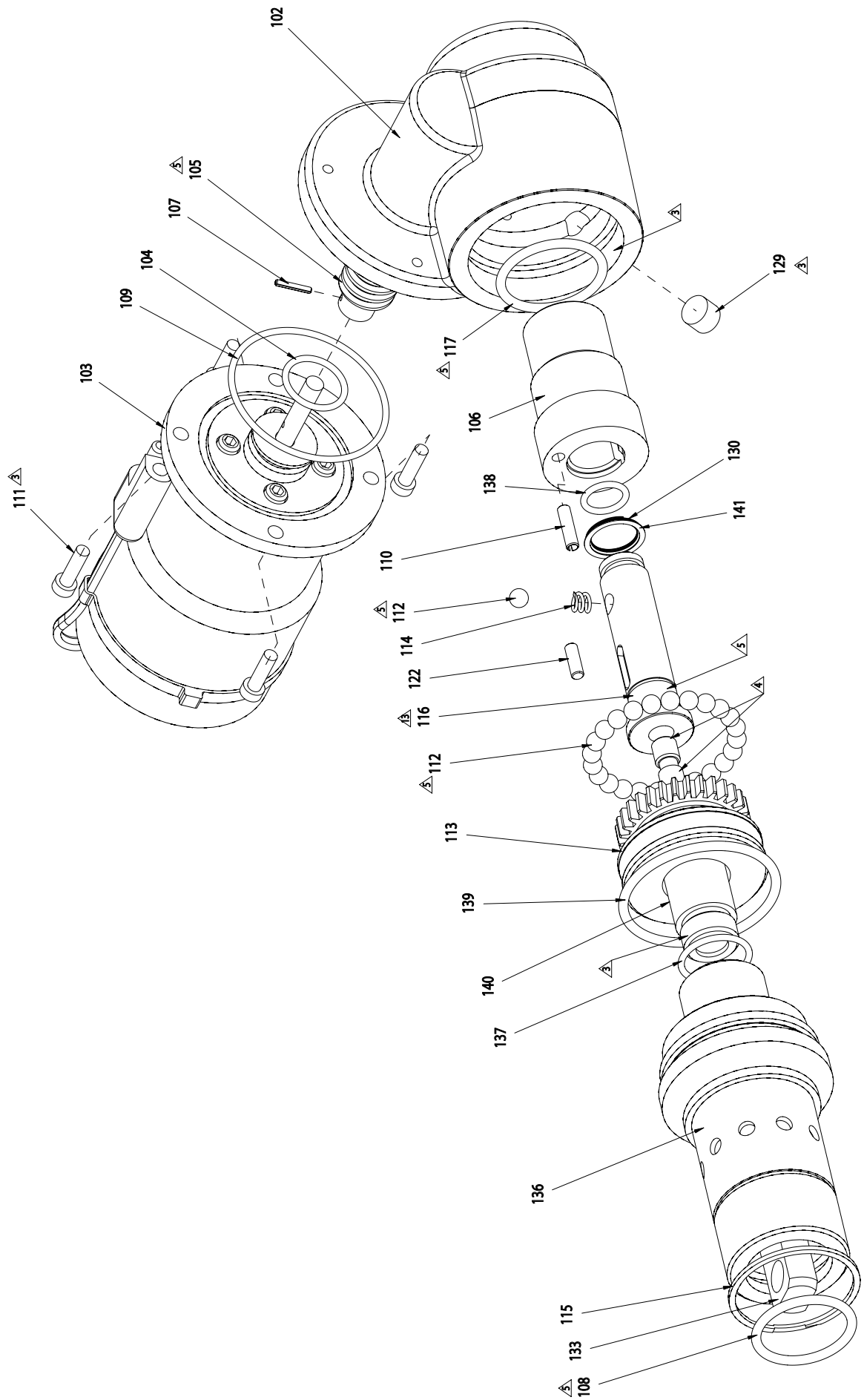


- ▲ USE LOCTITE 290
- ▲ USE PERMABOND LM113 OR LOCTITE 222 AT ASSEMBLY
- ▲ USE PERMABOND HH120 OR LOCTITE 277 AT ASSEMBLY
- ▲ USE LOW-TEMP LUBRIPLATE AT ASSEMBLY
- ▲ SCREW ITEM 455 INTO 407 UNTIL IT STOPS (3/4")
- ▲ TORQUE 216-240 IN-LBS
- ▲ TIGHTEN 50-60 FT-LBS
- ▲ TORQUE 35-45" IN-LBS.
- ▲ CLEAN AND PRIMER BEFORE USING LOCTITE OR PERMABOND





**STYLE 3626 & 3624  
FFFP FOAM TUBE  
TECHNICAL SERVICE PARTS LIST**

ITEM NO.	DESCRIPTION	PART NUMBER	QTY
1	SHOULDER SCREW	765258	1
2	INLET	120652	1
3	SCREW	765257	1
4	SPRING COVER	120662	1
5	BAFFLE STEM	120661	1
6	BAFFLE SPRING	768382	1
7	O-RING	757078	1
8	O-RING	757251	1
9	KEY	120660	1
10	STREAM SHAPER	120657	1
11	O-RING	757081	1
12	INLET SWIVEL	120651	1
15	SPRING	768383	1
97	SCREW	765070	1
98	SCREW	767131	1
99	SCREW	767162	1
100	BRACKET SPACER	768381	1
101	ACTUATOR BRACKET	120649	1
102	PATTERN ACTUATOR HOUSING	119507	1
103	MOTOR 12V (3626)	50770028	1
103	MOTOR 24V (3626)	50770029	1
103	MOTOR 12V (3624)	33560007	1
103	MOTOR 24V (3624)	33560010	1
104*	O-RING	757112	1
105*	PATTERN ACTUATOR WORM	785021	1
106	OVERRIDE COLLAR	119500	1
107*	ROLL PIN	744341	1
108	O-RING	757293	1
109*	O-RING	757056	1
110	PIN ROLL	744288	1
111*	SCREW	765150	4
112	BALL BEARINGS (STAINLESS STEEL)	704018	25
113	GEAR ACTUATOR OVERRIDE S/A	718226	1
114	DETENT SPRING	768283	1
115	RETAINING RING	758058	1
116	OVERRIDE SHAFT	119499	1
117	O-RING	757330	1
122	KEY	727050	1
129	SCREW	765134	1
130	RING RETAINING	758192	1
133	SCREW HOUSING	120653	1

ITEM NO.	DESCRIPTION	PART NUMBER	QTY
136	GUIDE TUBE	120650	1
137	O-RING	757055	1
138	O-RING	757282	1
139	O-RING	757048	1
140	BALL SCREW	767149	1
141	SHIM	768361	1
156	SCREW	767048	4
333	NUT	734061	6
336	SCREW	765071	4
374	SCREW	765002	1
376	SHIM .005 THICK (BLUE)	768096	AS REQ'D
376	SHIM .015 THICK (PINK)	768098	AS REQ'D
376	SHIM .003 THICK (GREEN)	768095	AS REQ'D
399	PIVOT BLOCK	120654	1
404	ADJUSTMENT CAM	707337	1
407	PATTERN CONTROL ROD	120655	1
428	SCREW	765181	6
429	RIVET	754053	5
432	SCREW	765022	1
433	BEARING	704235	4
454	ROD	104330	2
455	ROD INSERT	753047	2
460	NUT	734096	1
500	MIX TUBE	120659	1
501	SWIVEL PLUG	742023	1
502	BALL BEARINGS	703017	53
512	LOWER BLADE	116826	1
513	UPPER BLADE	116827	1
514	OVERRIDE COLLAR	116828	1
517	BAFFLE HEAD	120665	1
518	FOAM TUBE ADAPTER	120656	1
527	DEFLECTOR	120681	2
534	3.5" SWIVEL**	104014	1
535	GASKET	714023	1
555	WASHER	784094	6
556	LOCK WASHER	784106	6
557	SCREW	767146	6
558	COVER NUT	707401	6

\* Items included in motor assembly item #103

\*\* For other threads, order by description and thread size (ODM and TPI) or by Akron Thread code



ISO 9001 REGISTERED COMPANY

PHONE: 330.264.5678 or 800.228.1161 | FAX: 330.264.2944 or 800.531.7335 | akronbrass.com

REVISED: 6/11

WARRANTY AND DISCLAIMER: We warrant Akron Brass products for a period of five (5) years after purchase against defects in materials or workmanship. Akron Brass will repair or replace product which fails to satisfy this warranty. Repair or replacement shall be at the discretion of Akron Brass. Products must be promptly returned to Akron Brass for warranty service.

We will not be responsible for: wear and tear; any improper installation, use, maintenance or storage; negligence of the owner or user; repair or modification after delivery; damage; failure to follow our instructions or recommendations; or anything else beyond our control. WE MAKE NO WARRANTIES, EXPRESS OR IMPLIED, OTHER THAN THOSE INCLUDED IN THIS WARRANTY STATEMENT, AND WE DISCLAIM ANY IMPLIED WARRANTY OF MERCHANTABILITY OR FITNESS FOR ANY PARTICULAR PURPOSE. Further, we will not be responsible for any consequential, incidental or indirect damages (including, but not limited to, any loss of profits) from any cause whatsoever. No person has authority to change this warranty.

© Akron Brass Company. 2011 All rights reserved. No portion of this can be reproduced without the express written consent of Akron Brass Company.